

DUAL PURGE MANIFOLD ASSY

30-2A28

Regulator, 3 Way Shuttle,
Microvalve Dump

FITTINGS

FA & AA:
3/8" P.F. + 9027CR O-RING

D, P1, P2:
1806NYF NYLON COMPRESSION
FITTING

PV, PT, PD1, PD2, PR:
4mm P.F. + 3624VR O-RING

NOTE: P.F. = PUSH LOCK FITTING

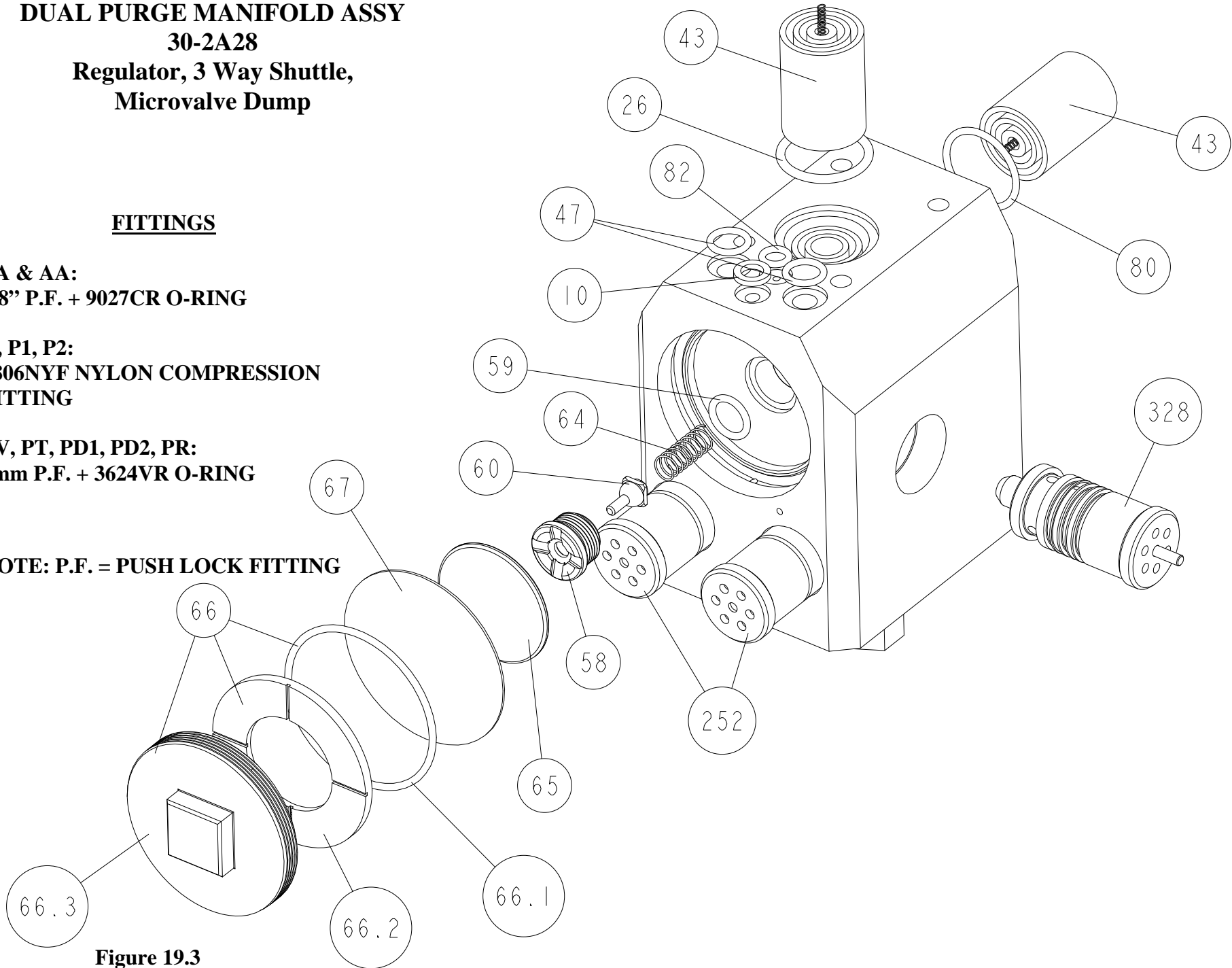


Figure 19.3

DESCRIPTION	ITEM #	FIG	EFC PART #	SAMES® PART #
FLAT WASHER, TEKREZ®	10	19.3	252L60	82-0883-00
O-RING, VITON®	26	19.3	2524VR	J2FTCF051
O-RING, TEKREZ®	26.1	19.3	2524CR	82-0410-11
MAIN ISOLATOR	43	19.3	316P50	448768
O-RING, VITON®	47	19.3	8919VR	J2FTCF018
O-RING, TEKREZ®	47.1	19.3	8919CR	82-0410-03
SEAT, STAINLESS STEEL	58	19.3	211M50	742761
O-RING, TEFLON®	59	19.3	1020TR	J3TTCN007
NEEDLE VALVE, STAINLESS STEEL	60	19.3	210M50	740511
REGULATOR SPRING	64	19.3	204M50	742759
REGULATOR DIAPHRAGM HOLDER	65	19.3	208M50	449545
REGULATOR COVER ASSEMBLY	66	19.3	205M50	435867
O-RING, VITON	66.1	19.3	4724VR	N/A
REGULATOR COVER SPACER	66.2	19.3	205M50C	741037
REGULATOR COVER, SQUARE	66.3	19.3	205M50M	72-0559-02
REGULATOR DIAPHRAGM	67	19.3	209M50	640265
O-RING, VITON®	80	19.3	2252VR	J2FTDF279
O-RING, TEKREZ®	80.1	19.3	2252CR	82-0410-13
O-RING, VITON®	82	19.3	5719VR	J2FTCF008
O-RING, TEKREZ®	82.1	19.3	5719CR	82-0410-05
MICROVALVE (CHEMICALLY RESISTANT)	252	19.3	277T60CRG	1506729
MICROVALVE, 3 WAY	328	19.3	65-1A75	852426
MANIFOLD BODY, DP, W/REGULATOR, 3 WAY SHUTLE, MICROVALVE DUMP	*	19.3	30-2A28A	N/A

* NO ITEM NUMBER LIST FOR PART NUMBER