

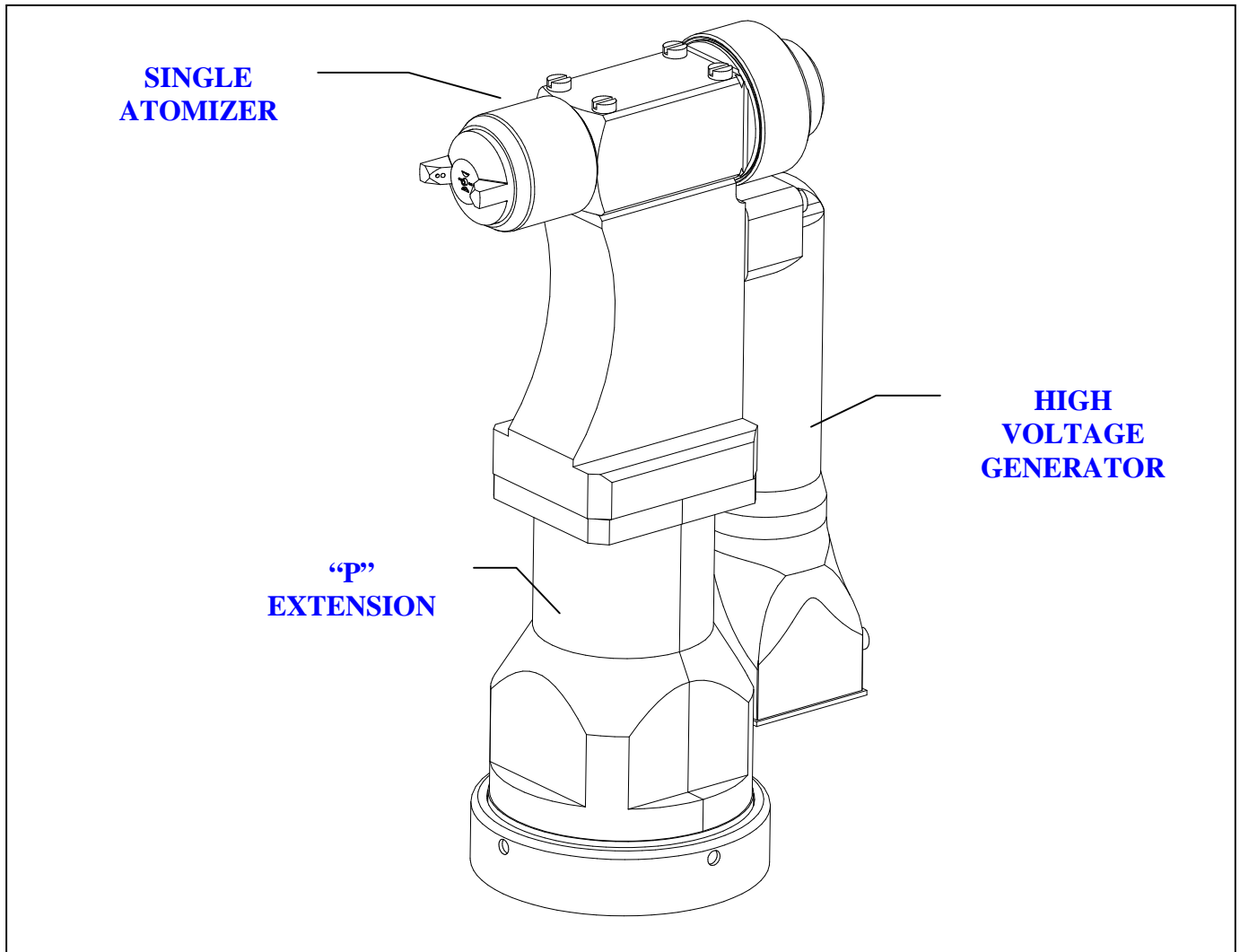


SYSTEMS, INC.

SPRAYING TOMORROW'S TECHNOLOGY®

**ES19S1**

**ROBOT MOUNTED DUAL HEAD  
AIR ATOMIZING ELECTROSTATIC GUN**



The ES19S1 is designed for electrostatic applications of solvent based, waterborne high solids and clear coat paints. Engineered from high performance thermoplastic polymers, this light weight unit is normally carried by a robot arm. The ES19S1 consists of the following:

- A. Single Air Atomizing Gun with unique piston design allowing total control of Fan Air, Atomizing Air and Fluid Delivery.
- B. Manifold/Adapter combination designed for close clearance finishing jobs.
- C. "P" Extension consisting of PTFE Coils, Hoses, Fittings and Q.D. (Quick Disconnect Nut) for fast, safe removal.
- D. High Voltage Generator.

**General Characteristics:**

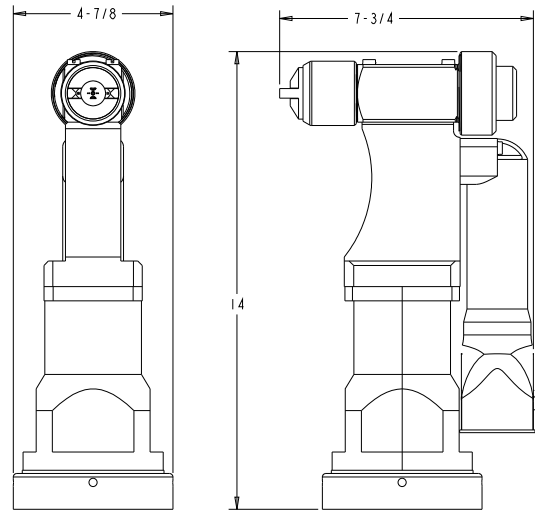
Dimensions: See figures below.  
 Weight: Approx. 8.5 lb.  
 Voltage: 0 to 100 kV adjusted manually or by PC analog input  
 Paint Regulation: N/A  
 Pilot Trigger: 60-90 psi (4 - 6 bar)  
 Pilot Dumps: 60-90 psi (4 - 6 bar)  
 Atomizing Air: 0-75 psig (0 - 5 bar)  
 Fan Air: 0-75 psig (0 - 5 bar)  
 Spray Pattern Size: 7" to 26"  
 Restrictor Sizes: 1.00 mm - 3.00mm  
 Air Cap: 4 configurations available  
 All wetted parts are constructed from: Polyacetal, 316 Stainless Steel and PTFE

**Air Characteristics:**

Maximum Pressure: 90 psi (6 bar)  
 Maximum Flow Rate: 36 scfm (60 Nm<sup>3</sup>/hr)

**High Voltage Characteristics:**

Maximum Voltage: 100 kV  
 Maximum Current: 200 μA  
 Maximum Peak Current per Gun: 100 μA  
 Maximum Constant Current: 60 - 70 μA



Phone 410-939-7155 • Fax 410-939-7160 • Toll Free 800-365-5897  
 1325 Post Road, Havre de Grace, MD 21078  
<http://www.efcusa.com>  
*Electrostatic Finishing Components & Systems*