

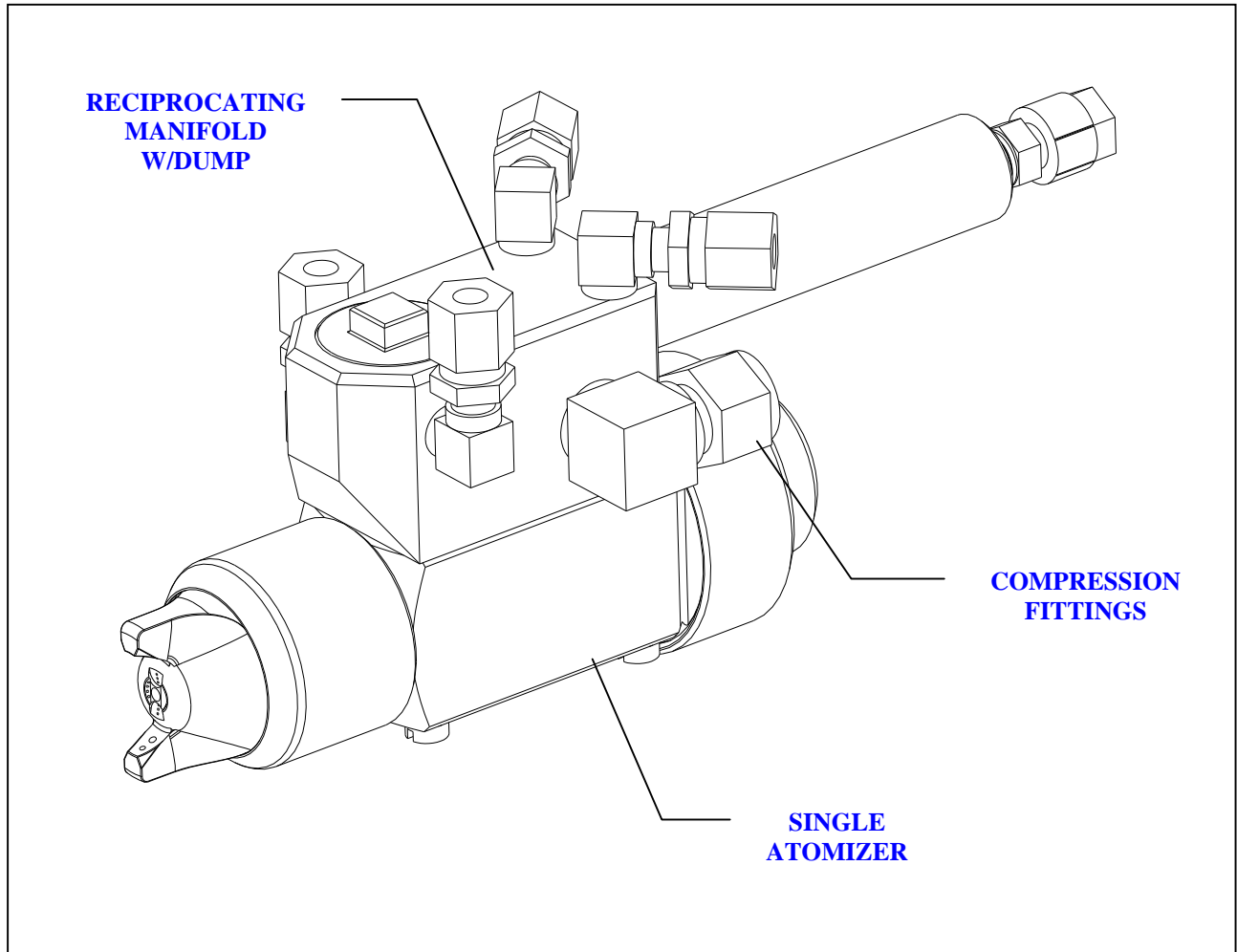


SYSTEMS, INC.

SPRAYING TOMORROW'S TECHNOLOGY®

ES1R

**RECIP/ROBOT MOUNTED SINGLE HEAD
AIR ATOMIZING ELECTROSTATIC GUN**



The ES1R is designed for electrostatic applications of solvent based, waterborne high solids and clear coat paints. Engineered from high performance thermoplastic polymers, this light weight unit is normally carried by a reciprocator or stationary machine. The ES1R consists of the following:

- A. Single Air Atomizing Gun with unique piston design allowing total control of Fan Air, Atomizing Air and Fluid Delivery.
- B. Manifold with integral Dump, Paint, Fan Air, Atomizing Air, Pilot Trigger and High Voltage extension mounting post.

General Characteristics:

Dimensions: See figures below.
 Weight: Approx. 2.5 lbs.
 Voltage: 0 to 100 kV adjusted manually or by PC analog input
 Paint Regulation: 100 to 1500 cc/min. (3.5 to 53 oz/min.) by remotely piloted pneumatic input or PC control
 Pilot Trigger: 60-90 psi (4 - 6 bar)
 Pilot Dumps: 60-90 psi (4 - 6 bar)
 Atomizing Air: 0-75 psig (0 - 5 bar)
 Fan Air: 0-75 psig (0 - 5 bar)
 Spray Pattern Size: 7" to 26" single pattern
 Restrictor Sizes: 1.00 mm - 3.00mm
 Air Cap: 4 configurations available
 All wetted parts are constructed from: Polyacetal, 316 Stainless Steel and PTFE

Air Characteristics:

Maximum Pressure: 90 psi (6 bar)
 Maximum Flow Rate: 36 scfm (60 Nm³/hr)

High Voltage Characteristics:

Maximum Voltage: 100 kV
 Maximum Current: 200 μA
 Maximum Peak Current: 100 μA
 Maximum Constant Current: 60 - 70 μA

