

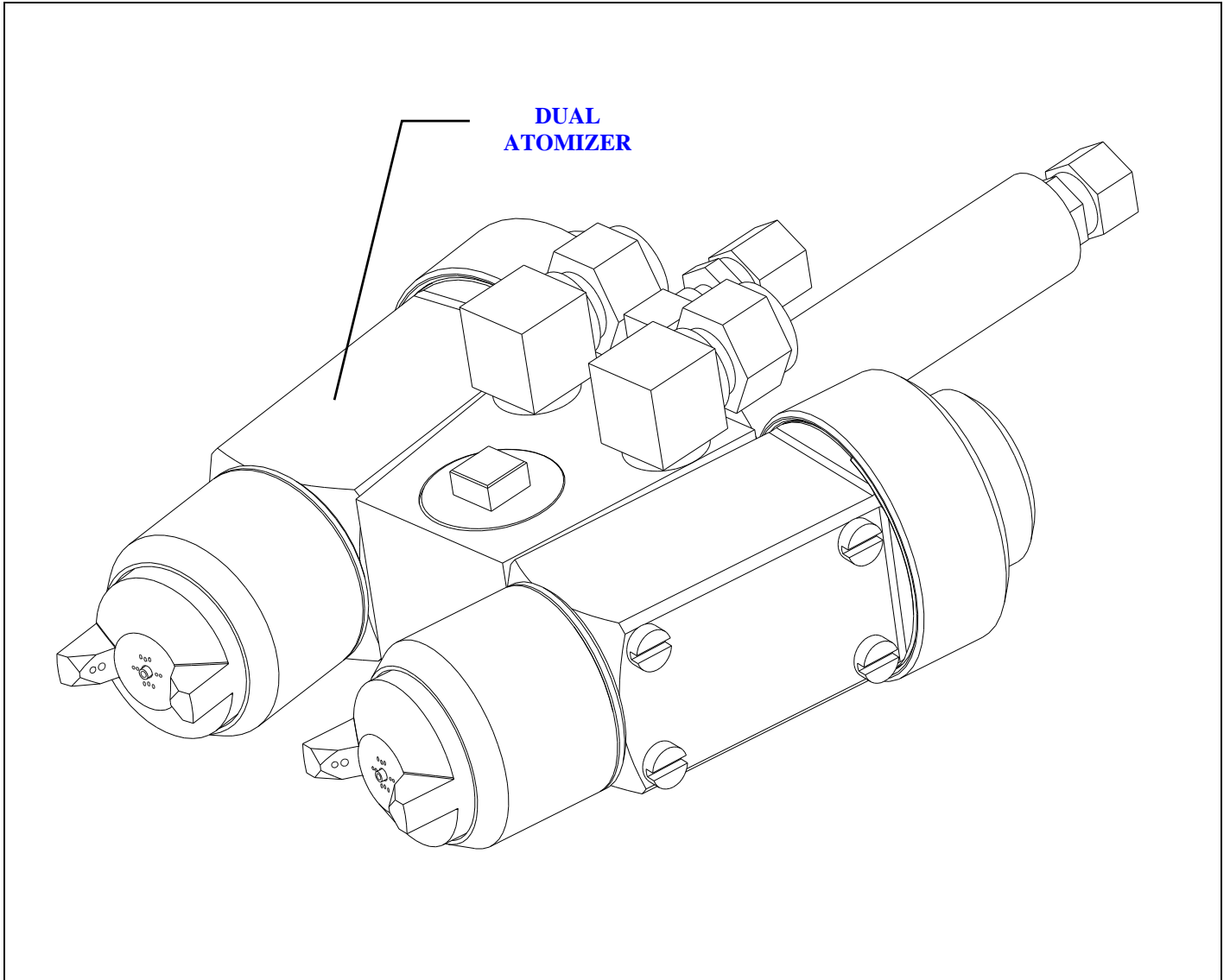


SYSTEMS, INC.

SPRAYING TOMORROW'S TECHNOLOGY®

ES2R

**ROBOT MOUNTED DUAL HEAD
AIR ATOMIZING ELECTROSTATIC GUN**



The ES2R is designed for electrostatic applications of solvent based, waterborne high solids and clear coat paints. Engineered from high performance thermoplastic polymers, this light weight unit is normally carried by a reciprocator or stationary machine. The ES2R consists of the following:

- A. Dual Air Atomizing Guns with unique piston design allowing total control of Fan Air, Atomizing Air and Fluid Delivery.
- B. Manifold with integral Dump, Paint, Fan Air, Atomizing Air, Pilot Trigger and High Voltage extension mounting post.
- C. Special Feature: Dual headed to converge at a set distance to eliminate molding and stripping problems.

General Characteristics:

Dimensions: See figures below.
Weight: Approx.
Voltage: 0 to 100 kV adjusted manually or by PC analog input
Paint Regulation: 100 to 1500 cc/min. (3.5 to 53 oz/min.) by remotely piloted pneumatic input or PC control
Pilot Trigger: 60-90 psi (4 - 6 bar)
Pilot Dumps: 60-90 psi (4 - 6 bar)
Atomizing Air: 0-75 psig (0 - 5 bar)
Fan Air: 0-75 psig (0 - 5 bar)
Spray Pattern Size: 7" to 26" converging into a single pattern
Restrictor Sizes: 1.00 mm - 3.00mm
Air Cap: 4 configurations available
All wetted parts are constructed from: Polyacetal, 316 Stainless Steel and PTFE

Air Characteristics:

Maximum Pressure: 90 psi (6 bar)
Maximum Flow Rate: 36 scfm (60 Nm³/hr)

High Voltage Characteristics:

Maximum Voltage: 100 kV
Maximum Current: 200 μAmp
Maximum Peak Current Per Gun: 100 μAmp
Maximum Constant Current: 60 - 70 μAmp

