



SYSTEMS, INC.

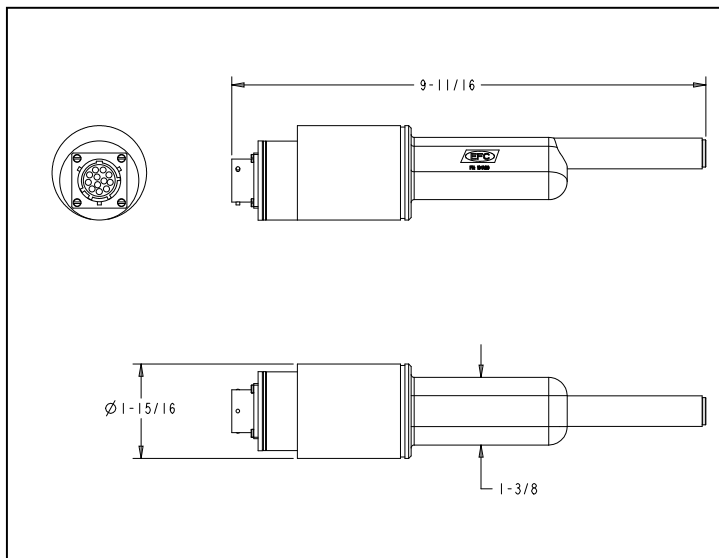
## New Products

### High Voltage Cascade

*PN: 16-1A80*



***Description:*** This compact, lightweight cascade has been engineered from a high impact resistant epoxy. Its unique design incorporates new radii to eliminate the usual break point of others. The unit will produce up to -100 kV DC.



### Specifications

#### Mechanical

Tensile Strength.....12,000 psi  
Compressive Strength.....20,000 psi  
Coefficient of Linear Thermal  
Expansion..... $18 \times 10^{-6}$  in/in/ $^{\circ}$ C

#### Electrical

Dielectric Strength.....500V/mil  
Output Voltage.....0-100 kV  
Max. Current.....225  $\mu$ A