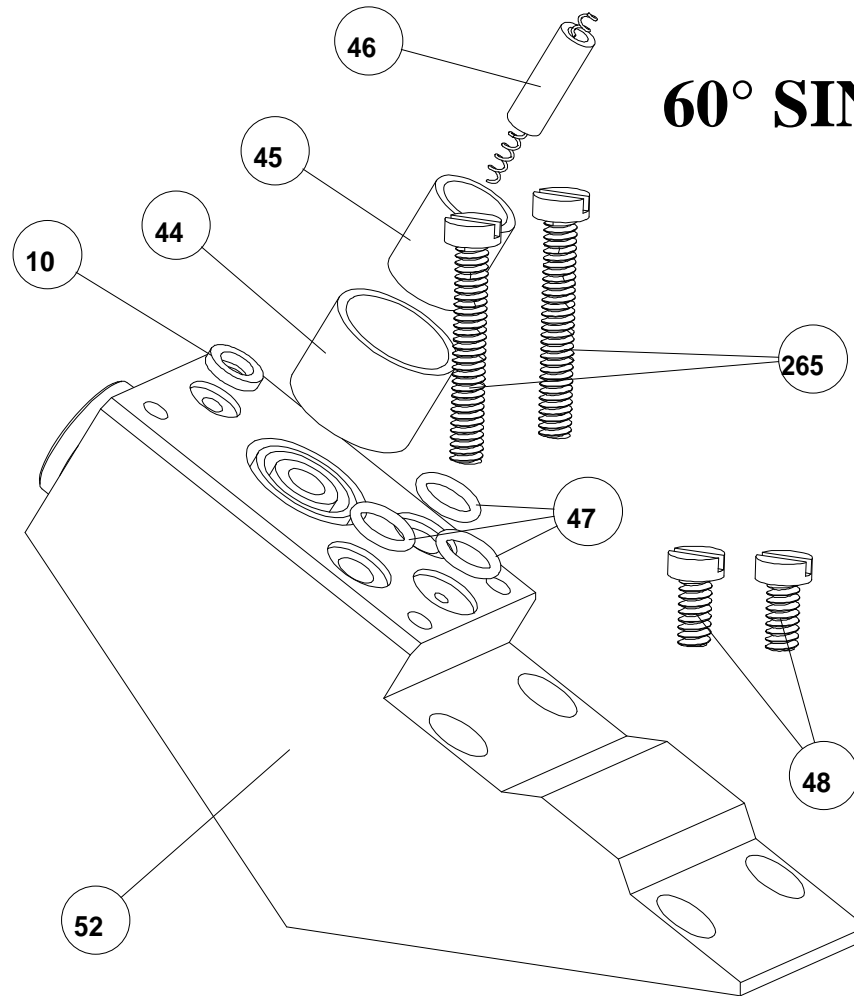


60° SINGLE ADAPTER



NOTE:

1. 318B50M OPTIONAL 60° ADAPTER WITH REMOVABLE PAINT CLEANING SCREW. IDEAL FOR 2K APPLICATIONS.
2. TEKREZ®: CHEMICALLY RESISTANT, NON-SWELLING. EXCELLENT WITH SOLVENTS.

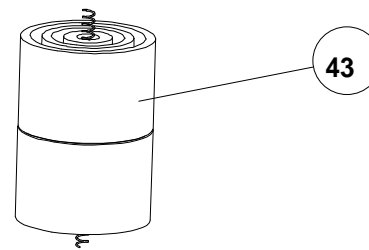


Figure 6

DESCRIPTION	ITEM #	FIG	EFC PART #	SAMES® PART #
WASHER, FLAT, TEKREZ® (CHEMICALLY RESISTANT)	10	6	252L60	82-0883-00
MAIN ISOLATOR	43	6	316P50	448768
OUTER SLEEVE	44	6	600A40	449707
INNER SLEEVE	45	6	601A40	449706
RESISTOR ASS'Y	46	6	612A40	740532
O-RING, VITON®	47	6	8919VR	J2FTCF018
O-RING, TEKREZ® (CHEMICALLY RESISTANT)	47.1	6	8919CR	82-0410-03
SCREW, NYLON	48	6	616NSC	N/A
SCREW, NYLON GLASS FILLED	48.1	6	616NGF	X9SVCB223
ADAPTER, SINGLE GUN, 60°	52	6	318B50	750661
ADAPTER, SINGLE GUN, 60° W/ PAINT CLEANING SCREW	52.1	6	318B50M	N/A
SCREW, NYLON	265	6	640NSC	N/A
SCREW, NYLON GLASS FILLED	265.1	6	640NGF	X9SVCB230