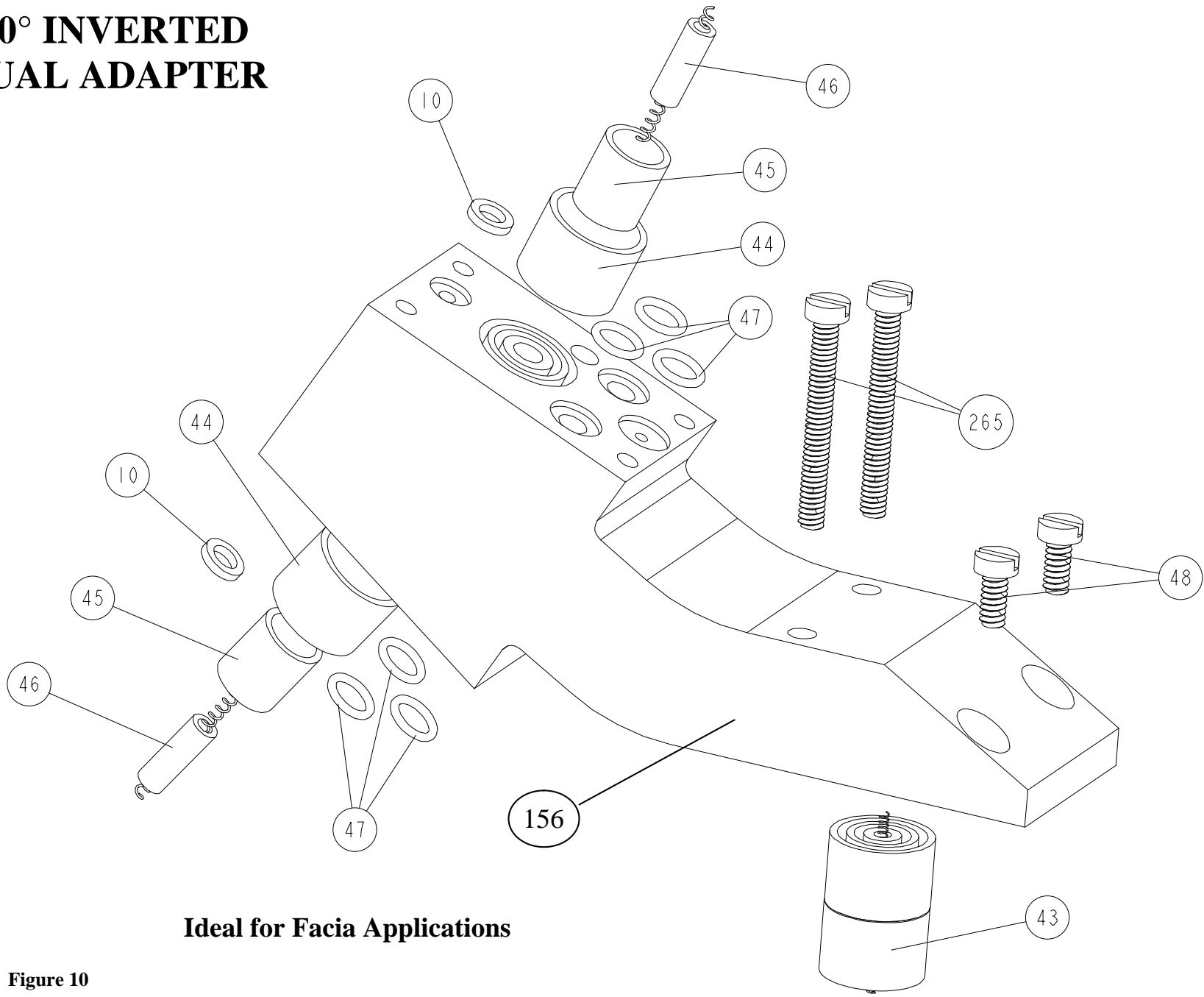


60° INVERTED DUAL ADAPTER



Ideal for Facia Applications

Figure 10

DESCRIPTION	ITEM #	FIG	EFC PART #	SAMES® PART #
WASHER, FLAT, TEKREZ® (CHEMICALLY RESISTANT)	10	10	252L60	82-0883-00
MAIN ISOLATOR	43	10	316P50	448768
OUTER SLEEVE	44	10	600A40	449707
INNER SLEEVE	45	10	601A40	449706
RESISTOR ASS'Y	46	10	612A40	740532
O-RING, VITON	47	10	8919VR	J2FTCF018
O-RING, TEKREZ® (CHEMICALLY RESISTANT)	47.1	10	8919CR	82-0410-03
SCREW, NYLON	48	10	616NSC	N/A
SCREW, NYLON GLASS FILLED	48.1	10	616NGF	X9SVCB223
ADAPTER, INVERTED (FACIA MASTER), 60°	156	10	323J50	N/A
SCREW, NYLON	265	10	640NSC	N/A
SCREW, NYLON GLASS FILLED	265.1	10	640NGF	X9SVCB230