

90° DUAL SHORTY ADAPTER

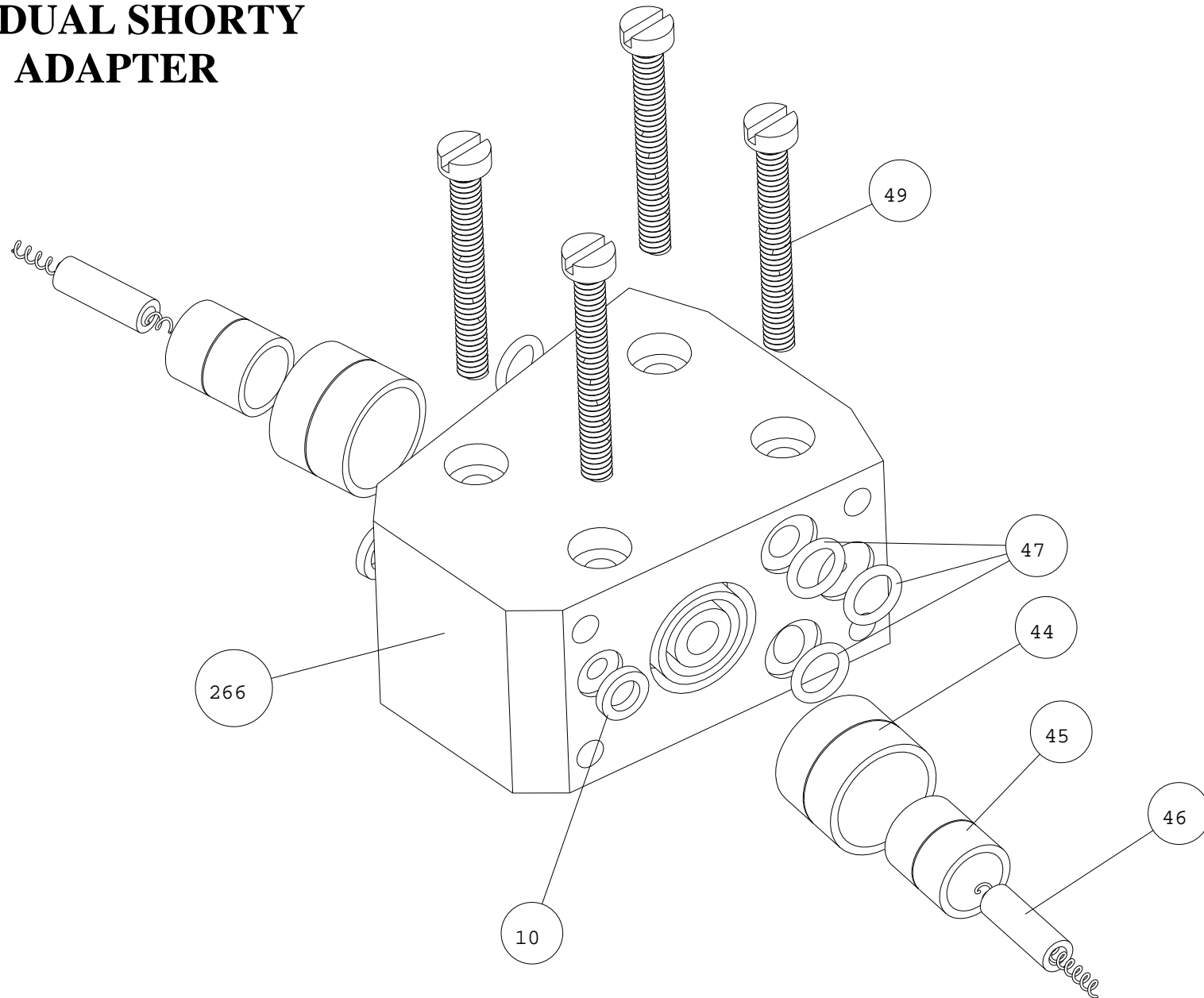


Figure 11

DESCRIPTION	ITEM #	FIG	EFC PART #	SAMES® PART #
WASHER, FLAT, TEKREZ® (CHEMICALLY RESISTANT)	10	11	252L60	82-0883-00
OUTER SLEEVE	44	11	600A40	449707
INNER SLEEVE	45	11	601A40	449706
RESISTOR ASS'Y	46	11	612A40	740532
O-RING, VITON	47	11	8919VR	J2FTCF018
O-RING, TEKREZ® (CHEMICALLY RESISTANT)	47.1	11	8919CR	82-0410-03
SCREW, NYLON	49	11	650NSC	N/A
SCREW, NYLON GLASS FILLED	49.1	11	650NGF	NX9SVCB232
ADAPTER, SHORTY, DUAL GUN, 90°	266	11	322J50	N/A