

**SINGLE PURGE, SINGLE GUN
W/ REG., MANIFOLD ASSEMBLY
540M40**

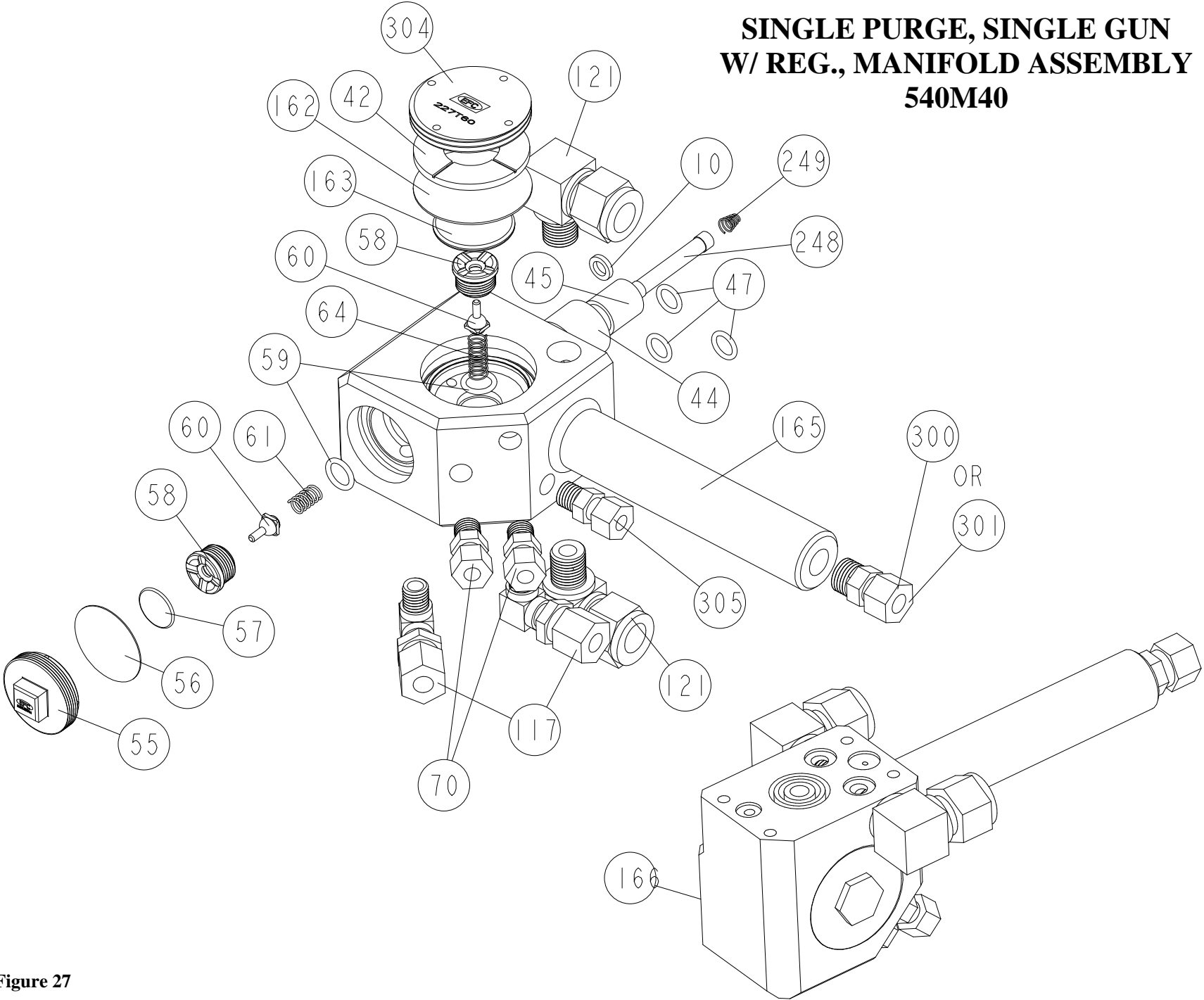


Figure 27

DESCRIPTION	ITEM #	FIG	EFC PART #	SAMES® PART #
WASHER, FLAT TEKREZ® (CHEMICALLY RESISTANT)	10	27	252L60	82-0883-00
SPACER	42	27	339T60	543891
OUTER SLEEVE	44	27	600A40	449707
INNER SLEEVE	45	27	601A40	449706
O-RING, VITON®	47	27	8919VR	J2FTCF018
O-RING, TEKREZ® (CHEMICALLY RESISTANT)	47.1	27	8919CR	82-0410-03
VALVE COVER NUT, SQUARE	55	27	201M50M	72-0559-01
VALVE COVER NUT, 2 HOLE	55.1	27	201M50	449548
VALVE DIAPHRAGM	56	27	202M50	449549
VALVE DIAPHRAGM HOLDER	57	27	203M50	449546
SEAT, STAINLESS STEEL	58	27	211M50	742761
SEAT, COMPOSITE	58.1	27	30-1A22	N/A
O-RING, TEFLON®	59	27	1020TR	J3TTCN007
NEEDLE VALVE, STAINLESS STEEL	60	27	210M50	740511
NEEDLE VALVE, COMPOSITE	60.1	27	210M50A	N/A
VALVE SPRING	61	27	213M50	742760
REGULATOR SPRING	64	27	204M50	742759
FITTING, NYLON	70	27	1836NYF	85-0151-07
FITTING, NYLON ELBOW	117	27	1814NYE	85-0153-56
FITTING, NYLON ELBOW	121	27	1438NYE	85-0153-63
REGULATOR DIAPHRAGM	162	27	229T60	543893
REGULATOR DIAPHRAGM HOLDER	163	27	230T60	72-0641-00
MANIFOLD BODY, SP, S GUN, STD REG, STD DUMP, RECIP	165	27	540M40A	N/A
MANIFOLD ASS'Y, SP, S GUN, STD REG, STD DUMP, RECIP	166	27	540M40	N/A
RESISTOR, 82 MEG	248	27	RES820	740016
CONTACT SPRING	249	27	530M40S	740018
FITTING, NYLON, MOD FOR 90KV CABLE	300	27	1412NYF-S	85-0151-22
FITTING, NYLON, MOD FOR 60-1A13 CABLE (1/4" DIA) 100KV	301	27	1414NYF-M	N/A
REGULATOR COVER NUT, 4 HOLE	304	27	227T60	534894
FITTING, NYLON	305	27	1856NYF	85-0151-14