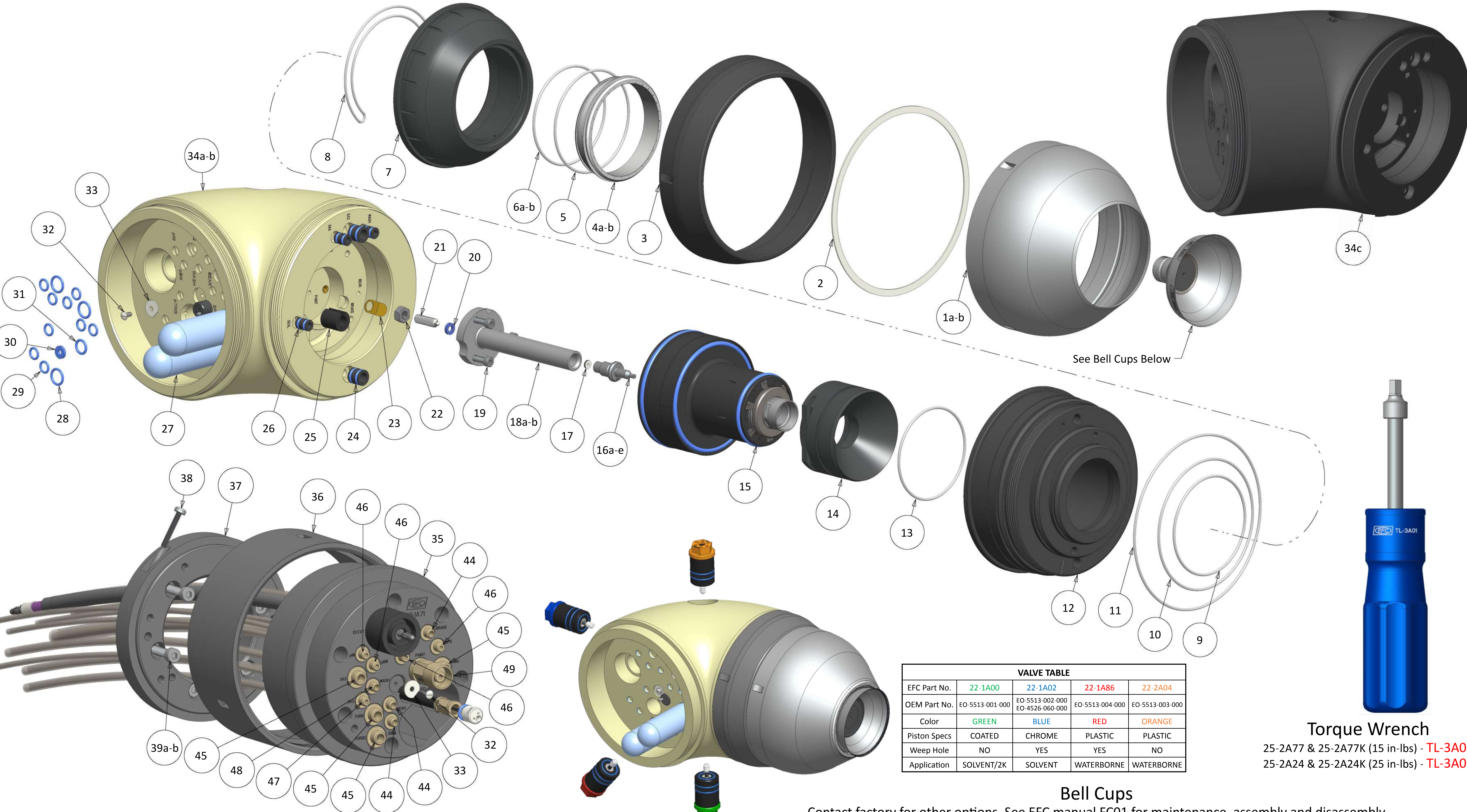


VersaBell II Replacement Parts



PARTS LIST				
No.	Description	EFC Part No.	OEM Part No.	Qty.
1a	OUTER SHROUD, NICKEL (WB)	22-1A06	EO-4526-205-005	1
1b	OUTER SHROUD, ALUMINUM (SB)	22-1A85	EO-4526-205-001	1
2	SEAL	22-1A97	N/A	1
3	RETAINING RING	22-1A27	EO-4526-010-003	1
4a	SINGLE SHAPING AIR NOZZLE -45" (INCLUDES 4&5)	22-1A44	EO-4526-205-002A	1
4b	SINGLE SHAPING AIR NOZZLE 0" (INCLUDES 4&5)	22-1A45	EO-4526-205-002B	1
5	O-RING, FRONT SINGLE AND DUAL SHAPING AIR	6917TVR	EO9999-200-002N	1
6a	O-RING, REAR SINGLE SHAPING AIR	6617TVR	EO9999-200-002D	1
6b	O-RING, REAR DUAL SHAPING AIR	6917TVR	EO9999-200-002N	1
7	WASH RING, SINGLE SHAPING AIR (INCLUDES 8)	22-1A37	EO-4526-203-003	1
8	O-RING, SINGLE & DUAL SHAPING AIR	14017TVR	EO9999-200-002M	1
9	O-RING, MANIFOLD FRONT SINGLE & DUAL SHAPING AIR	6617TVR	EO9999-200-002D	1
10	O-RING, MANIFOLD MIDDLE SINGLE & DUAL SHAPING AIR	8817TVR	EO9999-200-002E	1
11	O-RING, MANIFOLD BOTTOM SINGLE & DUAL SHAPING AIR	12017TVR	EO9999-200-002F	1
12	TURBINE MANIFOLD, SINGLE SHAPING AIR (INCLUDES 9,10,11)	22-1A26	EO-4526-010-001	1
13	O-RING, FRONT/REAR SINGLE & DUAL SHAPING AIR	6217TVR	EO9999-200-002C	1 or 3
14	AIR NOZZLE, SINGLE SHAPING AIR (INCLUDES 13)	22-1A38	EO-4526-204-001	1
15	TURBINE	22-3A50	EO-4526-020-000	1
16a	INJECTOR TIP, 0.6mm STANDARD & HIGH VISCOSITY	22-2A05	EO-4526-400-002A	1
16b	INJECTOR TIP, 0.75mm STANDARD & HIGH VISCOSITY	22-2A06	EO-4526-400-000E	1
16c	INJECTOR TIP, 0.9mm STANDARD & HIGH VISCOSITY	22-2A07	EO-4526-400-002D	1
16d	INJECTOR TIP, 1.2mm STANDARD & HIGH VISCOSITY	22-1A49	EO-4526-400-002B	1
16e	INJECTOR TIP, 1.8mm STANDARD & HIGH VISCOSITY	22-1A99	EO-4526-400-000C	1
17	PACKING	22-1A39	EO-4526-400-006	1
18a	INJECTOR BASE, STANDARD	22-1A48	EO-4526-400-001A	1
18b	INJECTOR BASE, HIGH VISCOSITY	22-2A08	EO-4526-400-001B	1
19	SCREW, M4 x 16mm SOCKET HEAD CAP	416SSC	SSHCM004070016S	3
20	FLAT WASHER, TEKREZ®	22-1A11	EO9999-200-003C	3
21	SPRING PLUNGER	16-1A38K	HDWMM0000059260	1
22	HEX NUT, M6	600NT	NUTHM0061000005	1
23	LEAF SPRING	22-1A68G	EO-4526-010-006	1
24	PIPETTE, 7mm WITH O-RINGS	22-1A59	EO-4526-610-022	2
25	SPEED PROBE RETAINER	22-1A35	EO-4526-010-004	1
26	PIPETTE, 4mm WITH O-RINGS	22-1A58	EO-4526-610-020	3
27	MUFFLER	22-1A84	HPNMM0000042060	2
28	O-RING, TEKREZ®	9217CR	EO9999-200-001F	3
29	O-RING, TEKREZ®	6017CR	EO9999-200-001D	9
30	FLAT WASHER, TEKREZ®	22-1A12	EO9999-200-003D	1
31	O-RING, TEKREZ®	7617CR	EO9999-200-001E	1
32	SCREW, M3 x 6mm PAN HEAD NYLON	306NPS	SPHMM003050006N	2
33	RETAINER, F.O. CABLE	22-1A68H	EO-4560-321-005	2
34a	ELBOW MANIFOLD 90° SINGLE DRIVE AIR	22-1A68	EO4696-500-002A	1
34b	ELBOW MANIFOLD 90° DUAL DRIVE AIR (BLACK)	22-0A18	EO4696-500-002B	1
34c	ELBOW MANIFOLD 60° DUAL DRIVE AIR (BLACK)	22-0A17	EO4526-010-002	1
35	QD MANIFOLD	22-1A71	EO-4696-550-001	1
36	QD RETAINING RING	22-1A29	EO-4526-050-005	1
37	SPLIT RING BREAK AWAY	22-2A02A	EO-4696-550-002	1
38	SCREW, M4 x 25mm PAN HEAD NYLON	425NPS	SPHMM004070025N	2
39a	SCREW, M6 x 20mm SOCKET HEAD CAP P500	620NGF	SSHCM006100020G	6
39b	SCREW, M6 x 20mm SOCKET HEAD CAP P700	620SSC	SSHCM006100020S	6
40a	P500 1400mm OAL HIGH VOLTAGE CABLE	22-1A95	EE-4696-625-001	1
40b	P500 1550mm OAL HIGH VOLTAGE CABLE	22-2A11	EE-4696-625-002	1
40c	P700 CASCADE HIGH VOLTAGE CABLE	22-2A33	EE-4696-625-003	1
40d	P700 FLEX HIGH VOLTAGE CABLE	22-2A13	EE-4696-625-006	1
41a	P500 1350mm OAL F.O. SPEED PICKUP CABLE	22-1A34	EE-4560-654-001	1
41b	P500 1550mm OAL F.O. SPEED PICKUP CABLE	22-1A04	EE-4560-654-003	1
41c	P500 1500mm OAL F.O. SPEED PICKUP CABLE	22-1A91	N/A	1
41d	P500 1550mm OAL WB F.O. SPEED PICKUP CABLE	22-2A14	EE-4560-654-004	1
41e	P700 F.O SPEED PICKUP CABLE	22-2A15	EE-4560-654-005	1
42	P500 BELL F.O. CABLE	22-1A33	EE-4560-653-001	1
43	P700 BELL F.O. CABLE	22-1A96	EE-4560-653-002	1
44	AIR BARREL ASSEMBLY 4 x 6 WITH 6017CR O-RING	22-1A74	EO-4696-570-005	3
45	AIR BARREL ASSEMBLY 6 x 8 WITH 7617CR O-RING	22-1A93	EO-4696-570-013	4
46	AIR BARREL ASSEMBLY 2.7 x 4 WITH 3617CR O-RING	22-1A94	EO-4696-570-003	4
47	P-BARREL ASSEMBLY 2.7 x 4	22-2A30	EO-4696-560-003	1
48	P-BARREL ASSEMBLY 4 x 6	22-2A32	EO-4696-560-005	1
49	P500 1400mm OAL 1K PAINT LINE WITH BARREL	22-2A16	EO4696-560-014A	1
	P500 1K PAINT LINE W/BARREL WITH 380mm COIL	22-2A17	EO4696-560-014B	1
	P500 1K PAINT LINE W/BARREL WITH 760mm COIL	22-2A18	EO4696-560-014C	1
	P500 1400mm OAL 2K PAINT LINE WITH BARREL	22-2A19	EO4696-560-014D	1
	P500 1400mm OAL WB PAINT LINE WITH BARREL	22-2A20	EO4696-560-014E	1
	P500 PAINT LINE WITH BARREL	22-2A21	EO-4696-560-014F	1
	P500 1550mm OAL 1K PAINT LINE WITH BARREL	22-2A22	EO4696-560-014G	1
	P500 1550mm OAL 2K PAINT LINE WITH BARREL	22-2A23	EO4696-560-014H	1
	P500 1550mm OAL WB PAINT LINE WITH BARREL	22-2A24	EO4696-560-014I	1
	P500 1K PAINT LINE W/BARREL WITH 1076mm COIL	22-2A25	EO4696-560-014P	1
	P500 1K PAINT LINE W/BARREL WITH 1788mm COIL	22-2A26	EO4696-560-014Q	1
	P700 1K PAINT LINE WITH BARREL	22-2A27	EO4696-560-014K	1
	P700 2K PAINT LINE WITH BARREL	22-2A28	EO4696-560-014L	1
	P700 WB PAINT LINE WITH BARREL	22-2A29	EO4696-560-014M	1

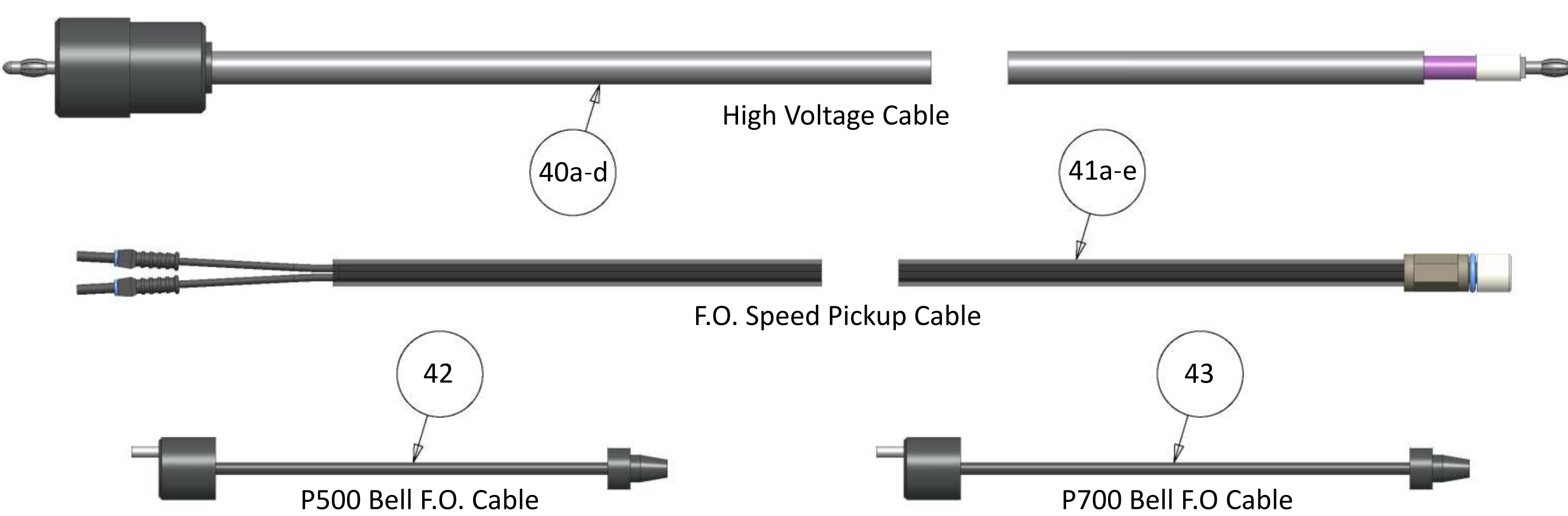
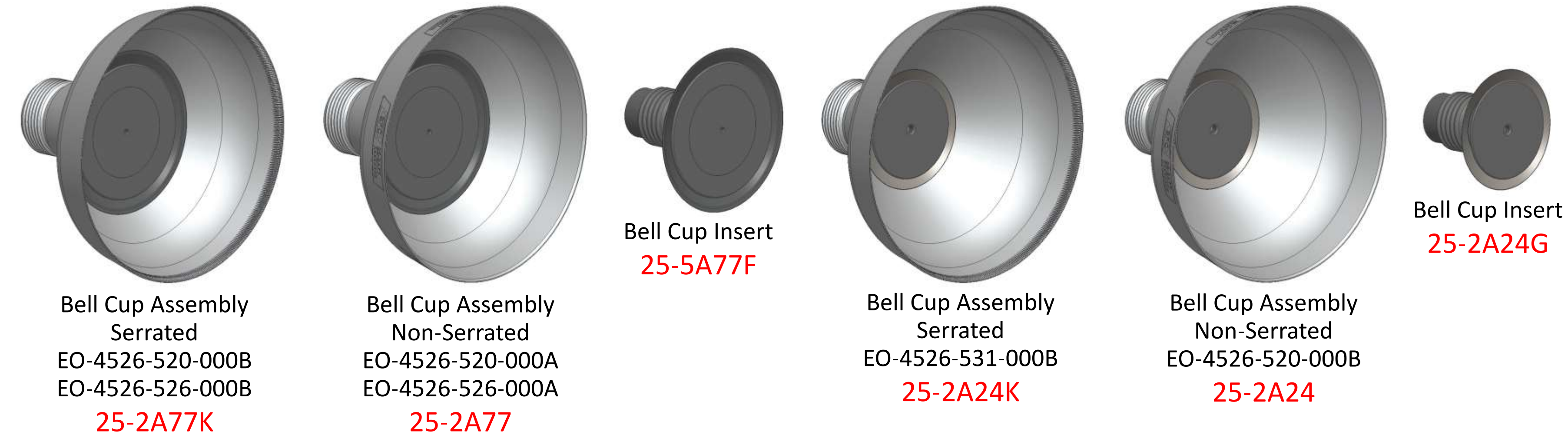
VALVE TABLE				
EFC Part No.	22-1A00	22-1A02	22-1A86	22-2A04
OEM Part No.	EO-5513-001-000	EO-5513-002-000 EO-4526-060-000	EO-5513-004-000	EO-5513-003-000
Color	GREEN	BLUE	RED	ORANGE
Piston Specs	COATED	CHROME	PLASTIC	PLASTIC
Weep Hole	NO	YES	YES	NO
Application	SOLVENT/2K	SOLVENT	WATERBORNE	WATERBORNE



Torque Wrench
 25-2A77 & 25-2A77K (15 in-lbs) - **TL-3A01**
 25-2A24 & 25-2A24K (25 in-lbs) - **TL-3A02**

Bell Cups

Contact factory for other options. See EFC manual FC01 for maintenance, assembly and disassembly



A WORLD LEADER IN SPRAY PAINTING TECHNOLOGIES & PARTS

Form No: 80 PST 011612001 REV G 10/12/2016
 © 2016 EFC Systems, Inc. All Rights Reserved. Models and Specifications subject to change without notice



WWW.EFCUSA.COM

