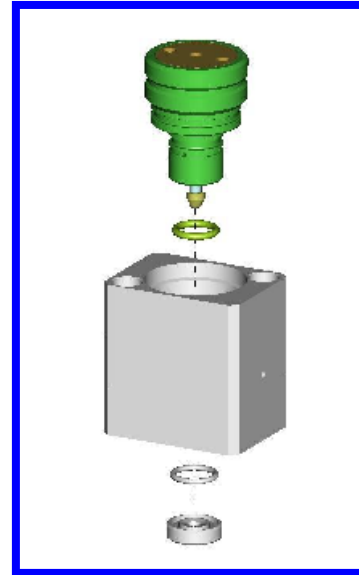
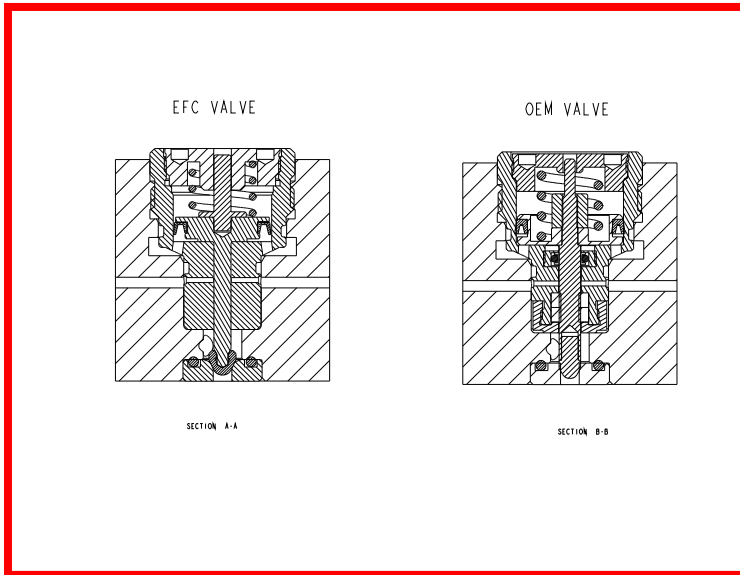


# ***EFC INTRODUCES...***

## **REPLACEMENT MICROVALVES FOR THE TRINITY WATERBORNE ROTARY ATOMIZER**



### **COMPARISONS**

#### **EFC**

- TAPER SEAT
- PARTS MADE OF HIGHLY WEAR RESISTANT MATERIALS
- 1 MILLIONS + CYCLE LIFE
- POSITIVE SEALING DEVICE (TEKREZ® O-RING)
- TIP DESIGN COMPATIBLE WITH ABRASIVE PAINTS (i.e.: XYRALLIC & HIGH SOLIDS)
- MODULAR DESIGN
- 2 WEEK LEAD TIME

#### **OEM**

- CORNER CONTACT
- PARTS MADE OF GENERIC THERMOPLASTICS
- 5000 CYCLE LIFE
- NO SEALING DEVICE
- NOT COMPATIBLE WITH ABRASIVE PAINTS
- MULTICOMPONENT DESIGN
- 12 WEEK + LEAD TIME
- \$427.00 USD



SYSTEMS, INC.

1325 Post Road  
Havre de Grace, MD 21078  
Toll Free: (800) 365-5897

[www.efcusa.com](http://www.efcusa.com)