

27-1A90

RMA 303 & 500 REPLACEMENT TURBINE



New EFC Super Efficient Rotary Atomizer turbine provides a 3 in 1 direct replacement to ITW RMA 300 and 500 series air bearing motors. Our floating bearing and G1.0 balance spec give you a more accurate applicator for material, plant & maintenance savings.



Specifications

- Drop In Replacement for OEM
- Floating Carbon Radial Main Bearing
- Tekrez® Chemical Resistant O-rings
- Proprietary Shaping Air Allowing Laminar Flow Pattern
- Redesigned Front Housing with Removable Bearing Cap for Ease of Service and Cleaning
- Vibration-Dampening Design for Long-Lasting Maintenance Cycles
- 1-Year Warranty Against Manufacture Defects

Compatibility

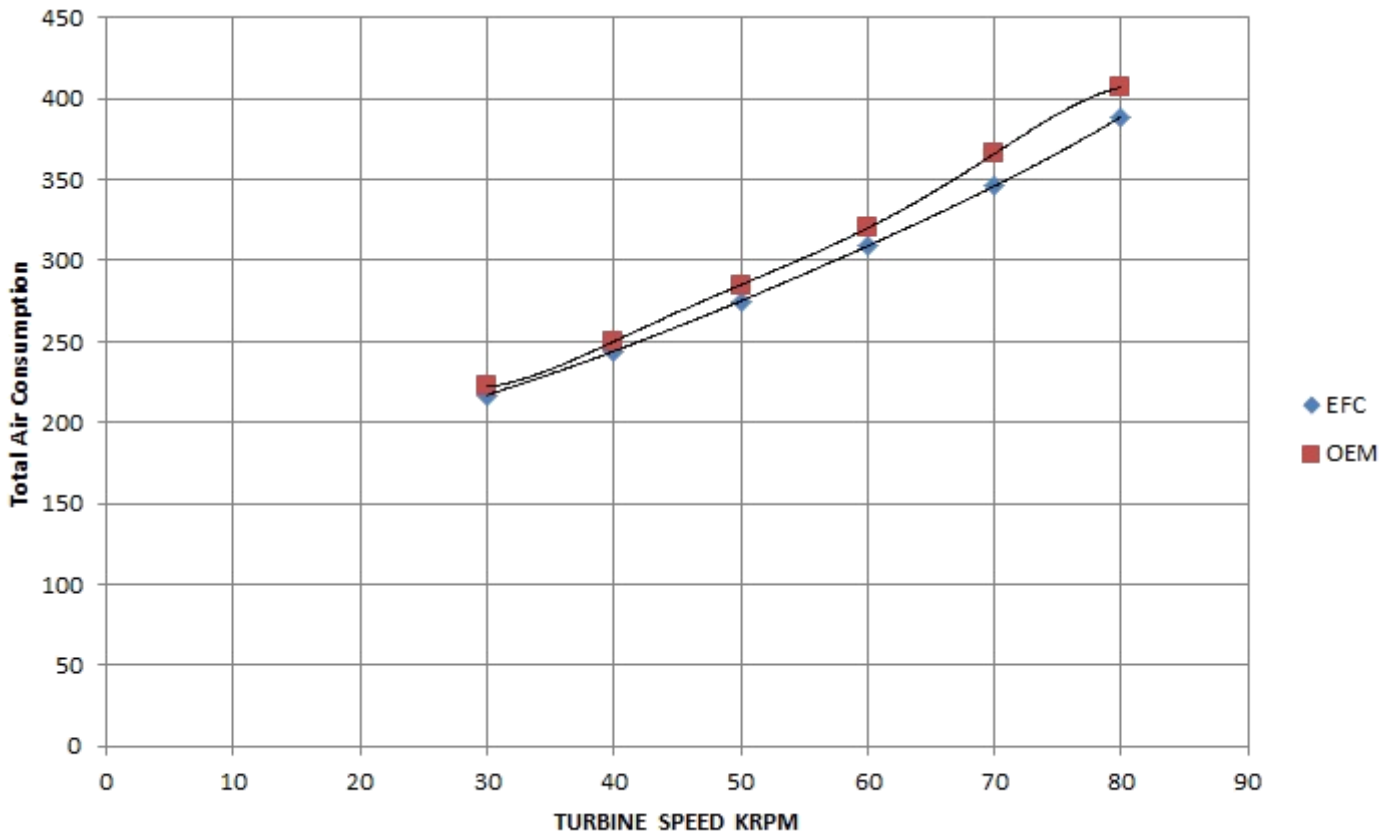
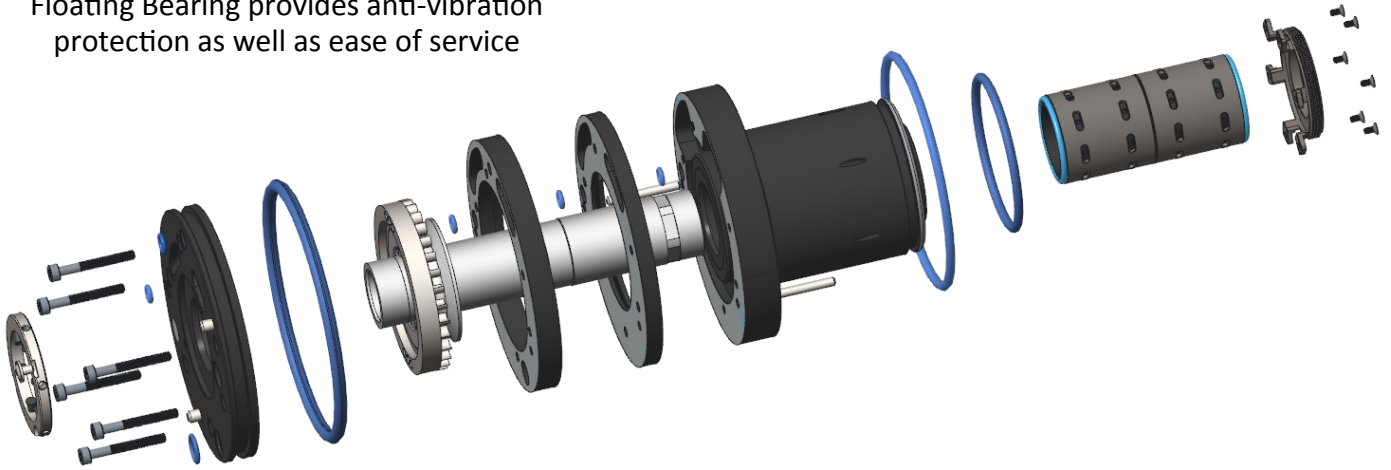
OEM PN#	A12895-00, A12895-01, A12895-04
OEM COLOR	Green, Platinum
EFC PN#	27-1A90
EFC COLOR	Black Anodized Finish

Please contact your EFC Representative for more information.

27-1A90

RMA 303/500 REPLACEMENT TURBINE

Floating Bearing provides anti-vibration protection as well as ease of service



EFC SYSTEMS, INC.
1851 CLARK ROAD
HAVRE DE GRACE, MD 21078
+1 800 365-5897
WWW.EFCUSA.COM

Form No: 80-PST 05121700 rev A

© 2017 EFC Systems, Inc. All Rights Reserved. Specification subject to change without notice

SPRAYING TOMORROW'S TECHNOLOGY®



SYSTEMS, INC.