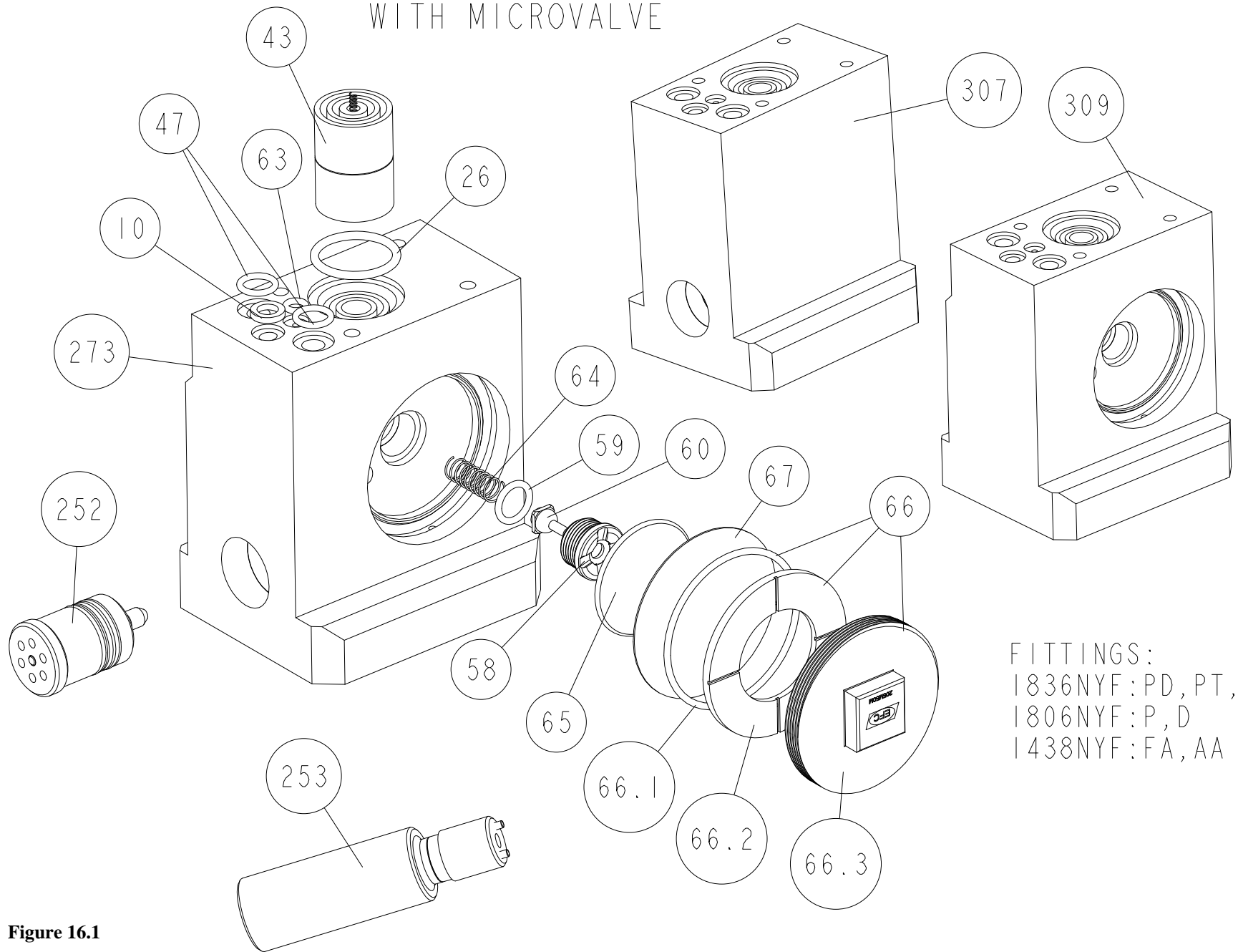


SINGLE PURGE MANIFOLD ASSY WITH MICROVALVE



FITTINGS:
 1836NYF:PD,PT,PR
 1806NYF:P,D
 1438NYF:FA,AA

Figure 16.1

DESCRIPTION	ITEM #	FIG	EFC PART #	SAMES® PART #
WASHER, FLAT, TEKREZ® (CHEMICALLY RESISTANT)	10	16.1	252L60	82-0883-00
O-RING, VITON®	26	16.1	2524VR	J2FTCF051
O-RING, TEKREZ® (CHEMICALLY RESISTANT)	26.1	16.1	2524CR	82-0410-11
MAIN ISOLATOR	43	16.1	316P50	448768
O-RING, VITON®	47	16.1	8919VR	J2FTCF018
O-RING, TEKREZ® (CHEMICALLY RESISTANT)	47.1	16.1	8919CR	82-0410-03
SEAT, STAINLESS STEEL	58	16.1	211M50	742761
SEAT, COMPOSITE	58.1	16.1	30-1A22	N/A
O-RING, TEFLON®	59	16.1	1020TR	J3TTCN007
NEEDLE VALVE, STAINLESS STEEL	60	16.1	210M50	740511
NEEDLE VALVE, COMPOSITE	60.1	16.1	210M50A	N/A
O-RING, VITON®	63	16.1	4219VR	J2FTCF043
O-RING, TEKREZ® (CHEMICALLY RESISTANT)	63.1	16.1	4219CR	82-0410-21
REGULATOR SPRING	64	16.1	204M50	742759
REGULATOR DIAPHRAGM HOLDER	65	16.1	208M50	449545
REGULATOR COVER ASS'Y	66	16.1	205M50	435867
O-RING, VITON®	66.1	16.1	4724VR	N/A
REGULATOR COVER SPACER	66.2	16.1	205M50C	741037
REGULATOR COVER, SQUARE	66.3	16.1	205M50M	72-0559-02
REGULATOR COVER, 4 HOLE	66.4	16.1	206M50	741286
REGULATOR DIAPHRAGM	67	16.1	209M50	640265
MICROVALVE (CHEMICALLY RESISTANT)	252	16.1	277T60CRG	1506729
TOOL, MICROVALVE REMOVAL	253	16.1	TL950	736170
MANIFOLD BODY, SP, STD REG, MICROVALVE DUMP	273	16.1	200M65A	N/A
MANIFOLD BODY, SP, NO REG, MICROVALVE DUMP	307	16.1	200M75A	N/A
MANIFOLD BODY, SP, STD REG, NO DUMP	309	16.1	200M85A	N/A
MAIN ISOLATOR PLUG FOR NON-ESTAT APPLICATIONS	*	16.1	201M50B	N/A