

RIGHT OFFSET

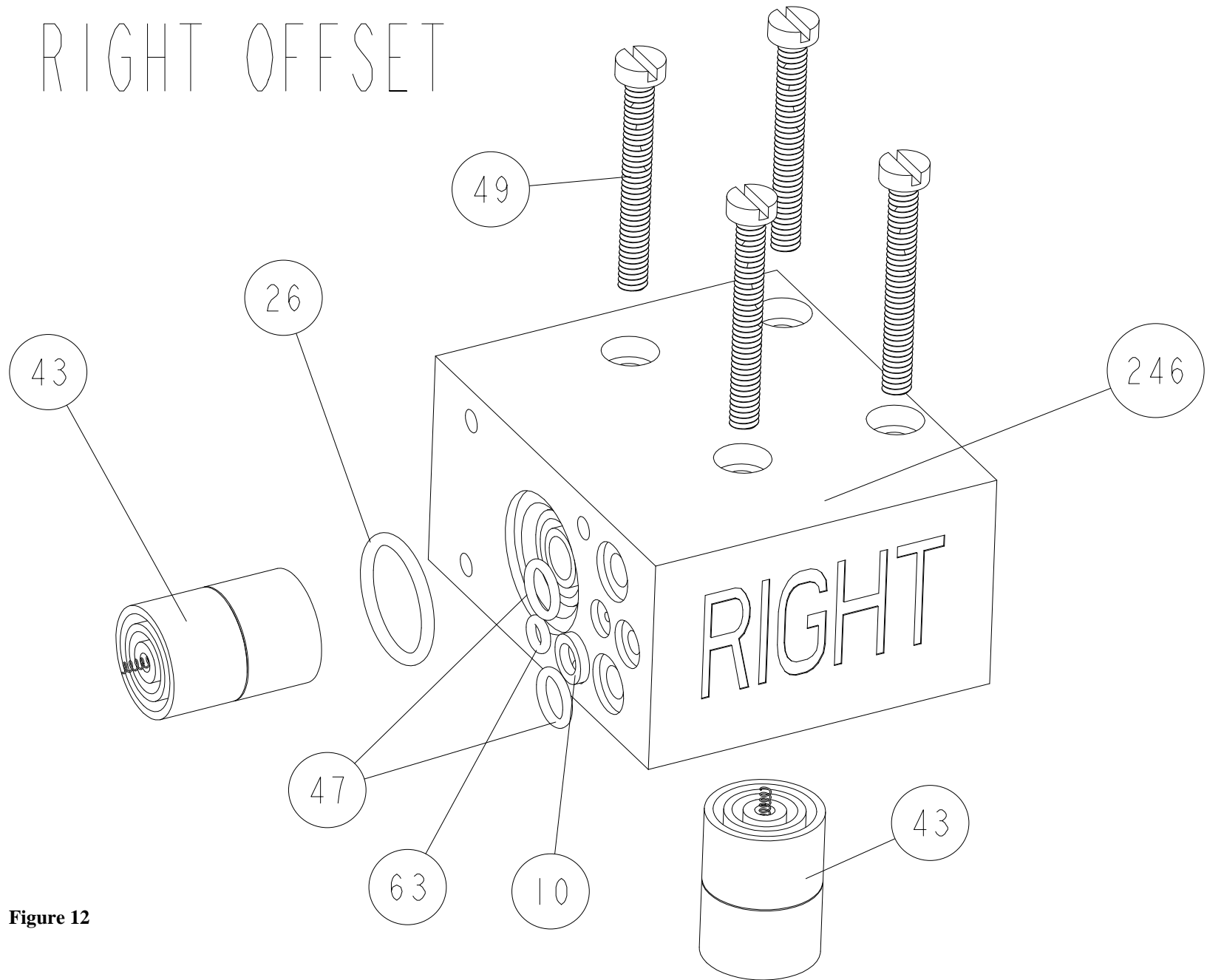


Figure 12

DESCRIPTION	ITEM #	FIG	EFC PART #	SAMES® PART #
WASHER, FLAT, TEKREZ® (CHEMICALLY RESISTANT)	10	12	252L60	82-0883-00
O-RING, VITON	26	12	2524VR	J2FTCF051
O-RING, TEKREZ® (CHEMICALLY RESISTANT)	26.1	12	2524CR	82-0410-11
MAIN ISOLATOR	43	12	316P50	448768
O-RING, VITON	47	12	8919VR	J2FTCF018
O-RING, TEKREZ® (CHEMICALLY RESISTANT)	47.1	12	8919CR	82-0410-03
SCREW, NYLON	49	12	650NSC	N/A
SCREW, NYLON GLASS FILLED	49.1	12	650NGF	NX9SVCB232
O-RING, VITON	63	12	4219VR	J2FTCF043
O-RING, TEKREZ® (CHEMICALLY RESISTANT)	63.1	12	4219CR	82-0410-21
ADAPTER, RIGHT OFFSET	246	12	327J50R	72-0345-02