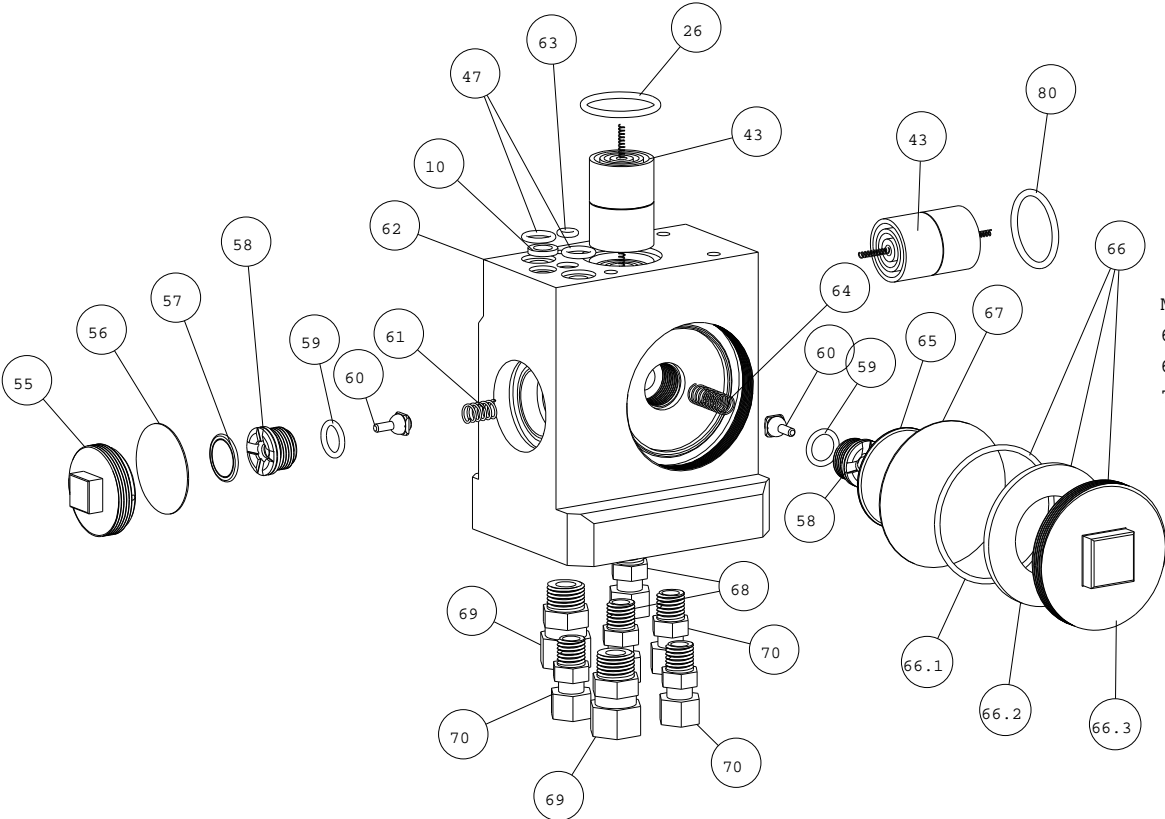
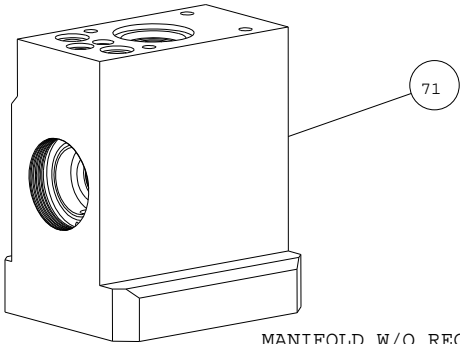


SINGLE PURGE MANIFOLD ASSY

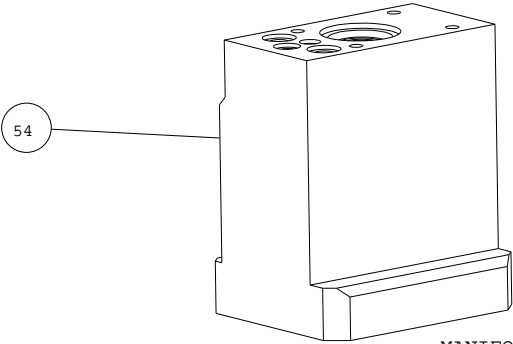


MANIFOLD WITH REG. AND DUMP CAVITIES

- 68 - 1806NYF: P, D
- 69 - 1438NYF: FA, AA
- 70 - 1836NYF: PD, PT, PR



MANIFOLD W/O REGULATOR CAVITY
 1836NYF FITTING: PD, PT
 1438NYF FITTING: AA, FA
 1806NYF FITTING: P, D



MANIFOLD W/O REGULATOR, DUMP CAVITIES
 1836NYF FITTING: PT
 1438NYF FITTING: FA, AA
 1806NYF FITTING: P

Figure 15.1

DESCRIPTION	ITEM #	FIG	EFC PART #	SAMES® PART #
WASHER, FLAT, TEKREZ® (CHEMICALLY RESISTANT)	10	15.1	252L60	82-0883-00
O-RING, VITON®	26	15.1	2524VR	J2FTCF051
O-RING, TEKREZ® (CHEMICALLY RESISTANT)	26.1	15.1	2524CR	82-0410-11
MAIN ISOLATOR	43	15.1	316P50	448768
O-RING, VITON®	47	15.1	8919VR	J2FTCF018
O-RING, TEKREZ® (CHEMICALLY RESISTANT)	47.1	15.1	8919CR	82-0410-03
MANIFOLD BODY, SP, NO REG, NO DUMP	54	15.1	200M50SF	62-0897-00
VALVE COVER NUT, SQUARE	55	15.1	201M50M	72-0559-01
VALVE COVER NUT, 2 HOLE	55.1	15.1	201M50	449548
VALVE DIAPHRAGM	56	15.1	202M50	449549
VALVE DIAPHRAGM HOLDER	57	15.1	203M50	449546
SEAT, STAINLESS STEEL	58	15.1	211M50	742761
O-RING, TEFLON®	59	15.1	1020TR	J3TTCN007
NEEDLE VALVE, STAINLESS STEEL	60	15.1	210M50	740511
VALVE SPRING	61	15.1	213M50	742760
MANIFOLD BODY, SP, STD REG, STD DUMP	62	15.1	200M50A	N/A
O-RING, VITON®	63	15.1	4219VR	J2FTCF043
O-RING, TEKREZ® (CHEMICALLY RESISTANT)	63.1	15.1	4219CR	82-0410-21
REGULATOR SPRING	64	15.1	204M50	742759
REGULATOR DIAPHRAGM HOLDER	65	15.1	208M50	449545
REGULATOR COVER ASS'Y	66	15.1	205M50	435867
O-RING, VITON®	66.1	15.1	4724VR	N/A
REGULATOR COVER SPACER	66.2	15.1	205M50C	741037
REGULATOR COVER, SQUARE	66.3	15.1	205M50M	72-0559-02
REGULATOR COVER, 4 HOLE	66.4	15.1	206M50	741286
REGULATOR DIAPHRAGM	67	15.1	209M50	640265
FITTING, NYLON	68	15.1	1806NYF	85-0059-30
FITTING, NYLON	69	15.1	1438NYF	85-0151-17
MAIN ISOLATOR PLUG FOR NON-ESTAT APPLICATION*	N/A	15.1	201M50B	N/A
FITTING, NYLON	70	15.1	1836NYF	85-0151-07
MANIFOLD BODY, SP, NO REG, STD DUMP	71	15.1	200M50WOA	N/A
O-RING, VITON	80	15.1	2252VR	J2FTDF279
O-RING, TEKREZ® (CHEMICALLY RESISTANT)	80.1	15.1	2252CR	82-0410-13
FITTING, NYLON **	68.1	15.1	1856NYF	85-0151-14

* NOT SHOWN

** OPTION FOR LARGER P-COILS