

P-EXTENSION ASSEMBLY

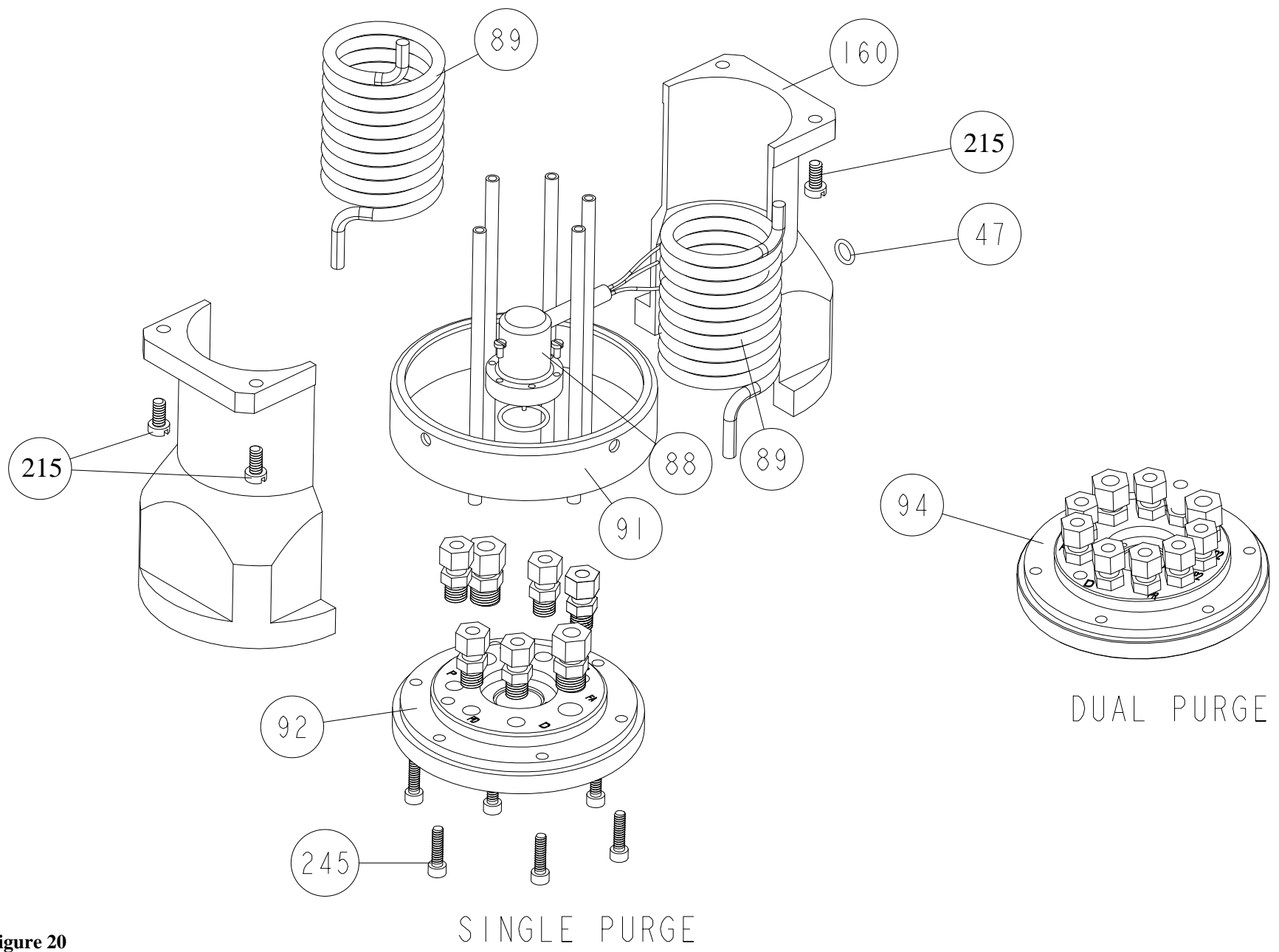


Figure 20

DESCRIPTION	ITEM #	FIG	EFC PART #	SAMES® PART #
O-RING, VITON ®	47	20	8919VR	J2FTCF018
O-RING, TEKREZ ®	47.1	20	8919CR	82-0410-03
MALE SOCKET ASS'Y	88	20	305P50	730156
MALE SOCKET ASS'Y, ROUND PIN	88.1	20	305P51	63-1108-00
TEFLON COIL ASS'Y	89	20	303P50	436528
TEFLON COIL ASS'Y, 5/16"	89.1	20	10-1A22	62-0331-04
STAINLESS STEEL NUT	91	20	306P50	744633
BASE PLATE, SP	92	20	302P50	415282
BASE PLATE, DP	94	20	302DP50	415281
P-EXTENSION BODY (2 PIECE)	160	20	313P50	425405
P-EXTENSION BODY, NON-ESTAT (2 PIECE)	160*	20	313P50WO	N/A
SCREW, NYLON	215	20	620NSC	N/A
SCREW, NYLON GLASS FILLED	215.1	20	620NGF	X9SVCB226
SCREW, SS SOCKET HEAD CAP	245	20	516SSC	X3AVSY183
PLUG, GUN SIDE BASE PLATE FOR NON-ESTAT APPLICATION	*	20	40-1A14	N/A
PLUG, NYLON HEX	*	20	18NHP	N/A

* = NOT SHOWN