

SHORT CIRCUITER ASSEMBLY

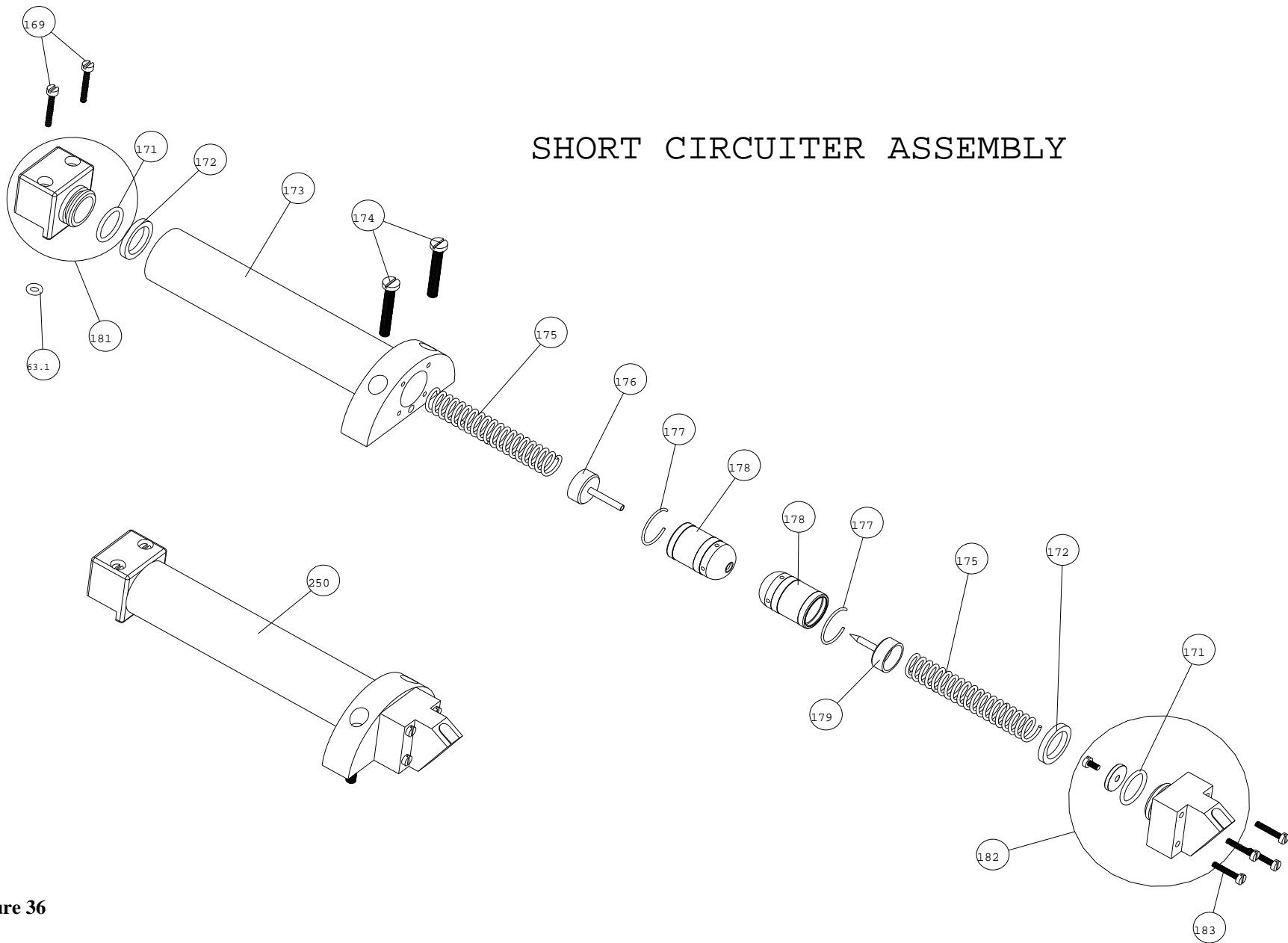


Figure 36

DESCRIPTION	ITEM #	FIG	EFC PART #	SAMES® PART #
O-RING, TEKREZ® (CHEMICALLY RESISTANT)	63.1	36	4219CR	82-0410-21
SCREW, SLOTTED CHEESE HEAD ZINC PLATED	169	36	425SCHS	X2BVCB124
O-RING, RUBBER	171	36	1620BR	J2CTCN034
WASHER, RUBBER	172	36	1622SR	J2CNRD164
SHORT CIRCUITER BODY	173	36	407S30	435691
SCREW, NYLON	174	36	525NSC	X9NVCB188
SPRING	175	36	411S30	740097
PISTON, GROUNDED AUXILIARY	176	36	409S30A	740509
SNAP RING	177	36	413S30	N/A
HEMISPHERIC PISTON	178	36	409S30	740094
PISTON, HIGH VOLTAGE, AUXILIARY	179	36	409S30B	740508
GROUNDED CAP ASS'Y	181	36	406S30	730774
HIGH VOLTAGE CAP ASS'Y	182	36	408S30	642521
SCREW, NYLON	183	36	320NSC	X9NVCB072
SHORT CIRCUITER ASS'Y	250	36	533T30	751335

