

ROBOT SIDE BASE PLATE

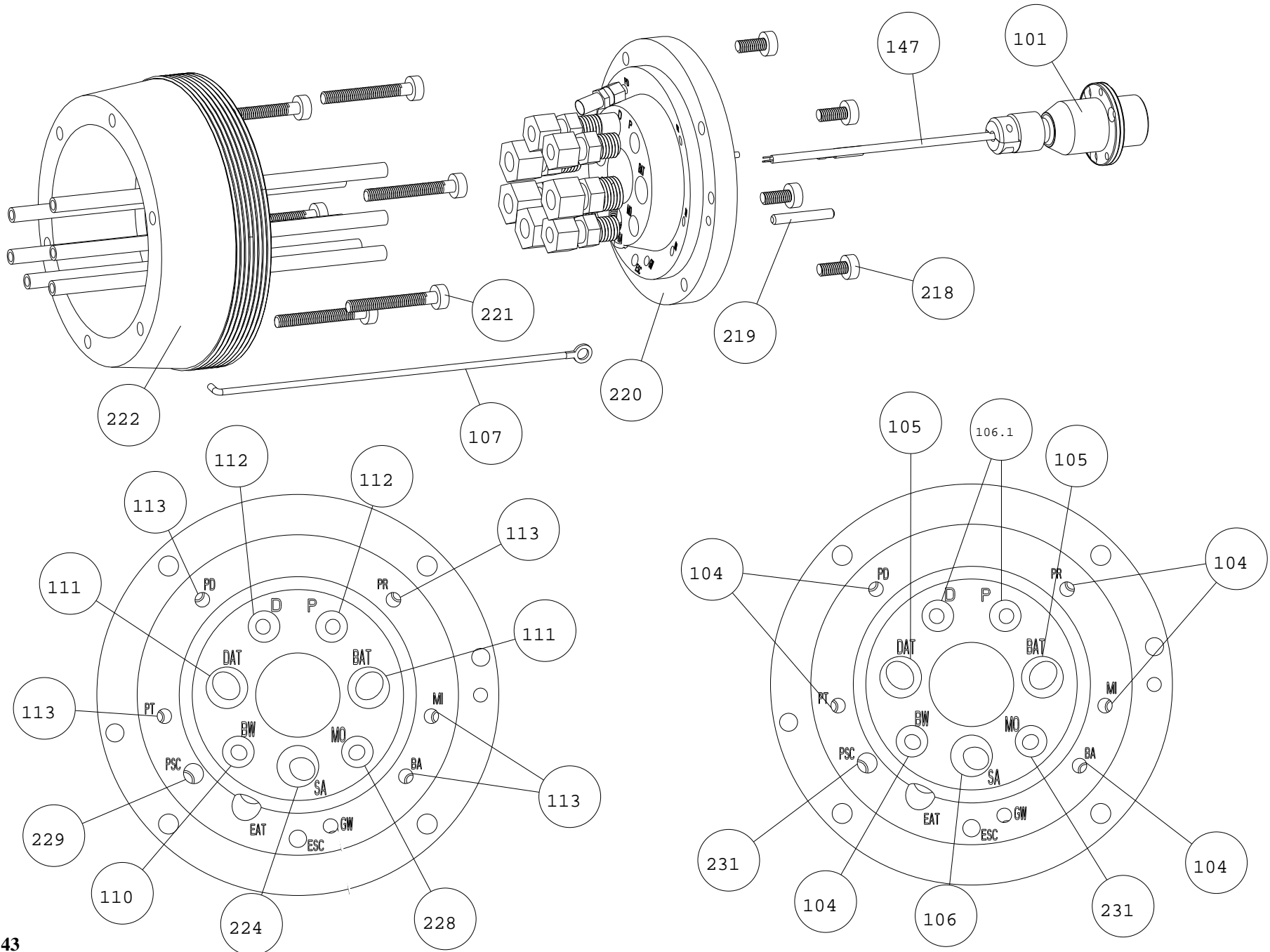


Figure 43

ROBOT SIDE FITTINGS

ROBOT SIDE HOSES

DESCRIPTION	ITEM #	FIG	EFC PART #	SAMES® PART #
FEMALE SOCKET ASS'Y	101	43	304P50	730157
FEMALE L.V. RETAINER ASS'Y (SEE FIGURE 43.1)	101.1	24.1	45-1A18	N/A
TUBE, NYLON (30')	104	43	NTB3618-SG	85-0128-05
TUBE, NYLON (30')	105	43	NTB3814-SG	85-0128-17
TUBE, NYLON (30')	106	43	NTB5672-SG	85-0128-15
TUBE, TEFLON® (30')	106.1	43	TTB5672	N/A
GROUND WIRE ASS'Y (30')	107	43	428W14GR	82-0940-00
FITTING, STAINLESS STEEL, SINGLE FERRULE	110	43	1836SPF	N/A
FITTING, STAINLESS STEEL	110.1	43	1836SSF	85-0150-57
FITTING, STAINLESS STEEL, SINGLE FERRULE	111	43	1438SPF	N/A
FITTING, STAINLESS STEEL	111.1	43	1438SSF	85-0150-67
FITTING, STAINLESS STEEL, SINGLE FERRULE	112	43	1856SPF	N/A
FITTING, STAINLESS STEEL	112.1	43	1856SSF	85-0150-64
FITTING, STAINLESS STEEL	112.2	43	1838SSF	85-0150-66
FITTING, ALUMINUM	113	43	M54ALF	62-0944-00
FITTING, ALUMINUM, PUSH LOCK	113.1	43	M54PLF	N/A
L.V. TEFLON® COATED CABLE (30')	147	43	45-1A29	84-0038-04
SCREW, SS SOCKET HEAD CAP	218	43	514SSC	N/A
LOCATING DOW PIN	219	43	428DOW	82-0847-03
BASE PLATE ASS'Y, SP, ROBOT SIDE	220	43	412R30	413823
SCREW, SS SOCKET HEAD CAP	221	43	540SSC	X4FVY190
ADAPTER RING	222	43	418Q30	N/A
FITTING, STAINLESS STEEL	224	43	1456SSF	85-0150-65
FITTING, STAINLESS STEEL	228	43	1814SSF	85-0150-60
FITTING, ALUMINUM	229	43	516-24ALF	72-0391-00
TUBE, NYLON (30')	231	43	NTB1436-SG	82-0128-09