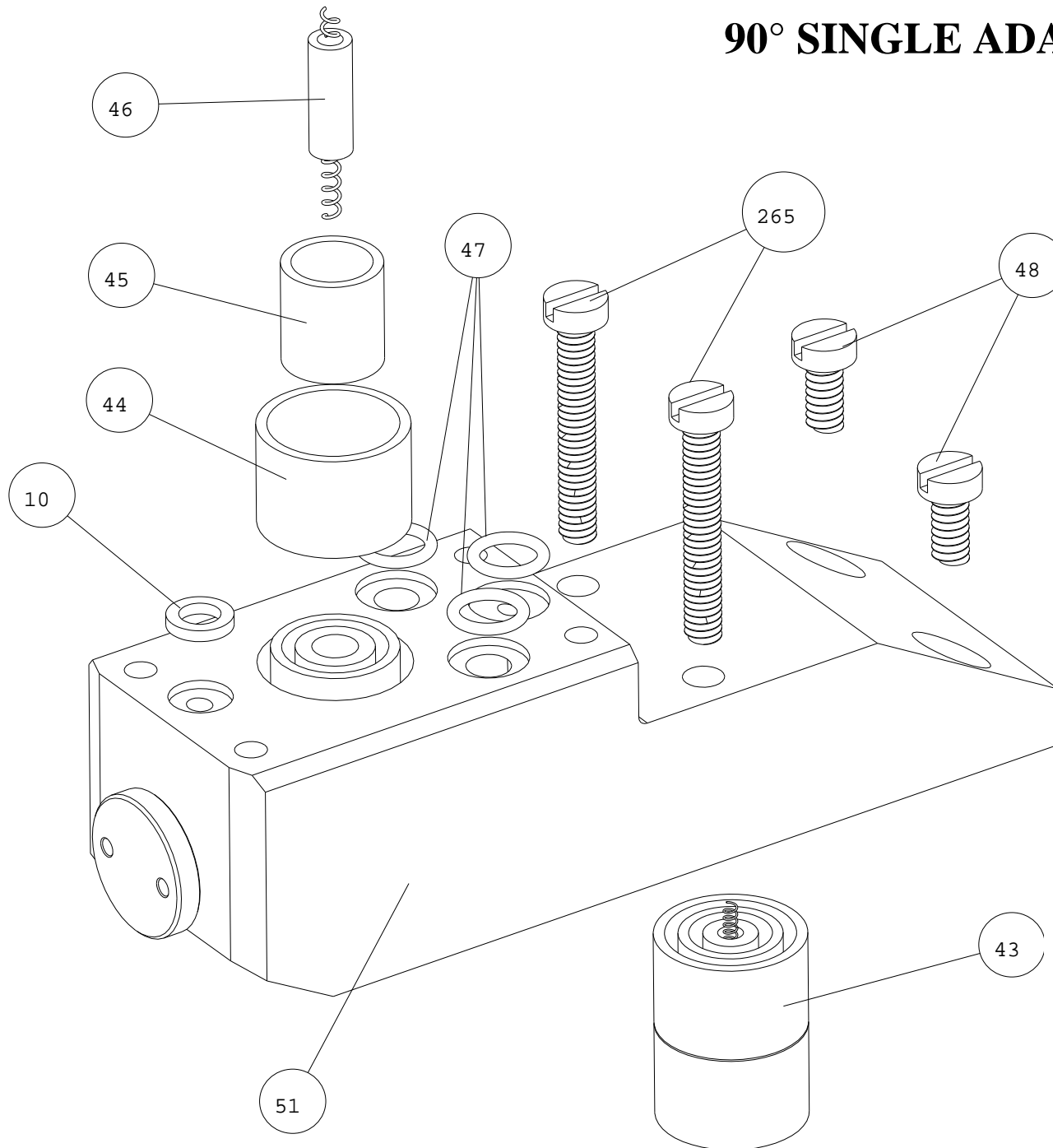


# 90° SINGLE ADAPTER



**NOTE:**

1. 319B50M  
OPTIONAL PAINT  
CLEANING  
SCREW. IDEAL  
FOR 2K  
APPLICATIONS.
2. TEKREZ®:  
CHEMICALLY  
RESISTANT, NON-  
SWELLING.  
EXCELLENT WITH  
SOLVENTS.

**Figure 7.0**

| <b>DESCRIPTION</b>                               | <b>ITEM #</b> | <b>FIG</b> | <b>EFC PART #</b> | <b>SAMES® PART #</b> |
|--|---------------|------------|-------------------|----------------------|
| WASHER, FLAT, TEKREZ® (CHEMICALLY RESISTANT)     | 10            | 7          | 252L60            | 82-0883-00           |
| MAIN ISOLATOR                                    | 43            | 7          | 316P50            | 448768               |
| OUTER SLEEVE                                     | 44            | 7          | 600A40            | 449707               |
| INNER SLEEVE                                     | 45            | 7          | 601A40            | 449706               |
| RESISTOR ASS'Y                                   | 46            | 7          | 612A40            | 740532               |
| O-RING, VITON®                                   | 47            | 7          | 8919VR            | J2FTCF018            |
| O-RING, TEKREZ® (CHEMICALLY RESISTANT)           | 47.1          | 7          | 8919CR            | 82-0410-03           |
| SCREW, NYLON                                     | 48            | 7          | 616NSC            | N/A                  |
| SCREW, NYLON GLASS FILLED                        | 48.1          | 7          | 616NGF            | X9SVCB223            |
| ADAPTER, SINGLE GUN, 90°                         | 51            | 7          | 319B50            | 750662               |
| ADAPTER, SINGLE GUN, 90° W/ PAINT CLEANING SCREW | 51.1          | 7          | 319B50M           | N/A                  |
| SCREW, NYLON                                     | 265           | 7          | 640NSC            | N/A                  |
| SCREW, NYLON GLASS FILLED                        | 265.1         | 7          | 640NGF            | X9SVCB238            |